

# VERMEIREN

## Quadri-Light

USER MANUAL  
MANUEL D'UTILISATION  
GEBRUIKSAANWIJZING  
GEBRAUCHSANWEISUNG  
MANUALE DI ISTRUZIONI  
MANUAL DE INSTRUCCIONES  
INSTRUKCJA OBSŁUGI  
NÁVOD K OBSLUZE



EN

### Instructions for specialist dealer

This instruction manual is part and parcel of the product and must accompany every product sold.

Version: C, 2020-09

FR

### Instructions pour les distributeurs

Ce manuel d'instructions fait partie du produit et doit accompagner chaque produit vendu.

Version : C, 2020-09

NL

### Instructies voor de vakhandelaar

Deze handleiding is deel van het product en dient bij iedere product te worden geleverd.

Versie: C, 2020-09

DE

### Hinweise für den Fachhändler

Diese Gebrauchsanweisung ist Bestand-teil des Produkts und ist bei jeder Produkts auszuhändigen.

Version: C, 2020-09

IT

### Istruzioni per il rivenditore

Il presente Manuale di istruzioni è parte integrante del prodotto e deve essere fornito assieme alla prodotto.

Versione: C, 2020-09

ES

### Instrucciones destinadas a los distribuidores especializados

El presente manual de instrucciones es parte integrante del producto y se debe adjuntar a todas las producto que se vendan.

Versión: C, 2020-09

PL

### Instrukcje dla wyspecjalizowanego sprzedawcy

Niniejsza instrukcja obsługi jest nieodłączną częścią produktu i musi być dołączona do każdego sprzedawanego produktu.

Wersja: C, 2020-09

CS

### Pokyny pro specializovaného prodejce

Tento návod k obsluze je součástí dodávky a musí být součástí každého prodaného produktu.

Verze: A, 2020-09

### All rights reserved, including translation.

No part of this manual may be reproduced in any form what so ever (print, photocopy, microfilm or any other process) without written permission of the publisher, or processed, duplicated or distributed by using electronic systems.

### Tous droits réservés, y compris la traduction.

Aucune partie de ce manuel ne peut être reproduite, sous quelque forme que ce soit (imprimée, photocopie, microfilm ou tout autre procédé) sans l'autorisation écrite du publicateur, ni traitée, dupliquée ou distribuée à l'aide de systèmes électroniques.

### Alle rechten, inclusief vertaling, voorbehouden.

Niets uit deze handleiding mag geheel of gedeeltelijk in enige vorm (druk, fotokopie, microfilm of ieder ander procedé) zonder de schriftelijke toelating van de uitgever worden gereproduceerd of met behulp van elektronische systemen worden verwerkt, gekopieerd of verspreid.

### Alle Rechte, auch an der Übersetzung, vorbehalten.

Kein Teil der Gebrauchsanweisung darf in irgendeiner Form (Druck, Fotokopie, Mikrofilm oder einem anderen Verfahren) ohne schriftliche Genehmigung des Herausgebers reproduziert oder unter Verwendung elektronischer Systeme verarbeitet, vervielfältigt oder verbreitet werden.

### Tutti i diritti riservati (anche sulla traduzione).

Il presente manuale non può essere riprodotto, neppure parzialmente, con alcun mezzo (stampa, fotocopia, microfilm o altro procedimento) senza l'autorizzazione scritta della casa produttrice, né elaborato, duplicato o distribuito con l'ausilio di sistemi elettronici.

### Todos los derechos reservados, incluidos los de la traducción.

Se prohíbe la reproducción total o parcial del presente manual de cualquier forma (impresión, fotocopia, microfilm o cualquier otro procedimiento), así como la edición, copia o distribución empleando sistemas electrónicos, sin el permiso escrito del editor.

### Wszelkie prawa zastrzeżone, łącznie z tłumaczeniem.

Żadna część niniejszej instrukcji nie może być powielana w jakiegokolwiek formie (drukowanej, fotokopii, mikrofilmu ani innej) bez pisemnej zgody wydawcy, nie może być również przetwarzana, kopiowana ani rozprowadzana za pomocą systemów elektronicznych.

### Všechna práva vyhrazena, včetně překladu.

Šíření jakékoli části tohoto katalogu jakýmkoliv způsobem (tisk, kopie, mikrofilm nebo jiný způsob) bez písemného souhlasu vydavatele, nebo zpracování, duplikace či distribuce prostřednictvím elektronických systémů je zakázáno.



English

Français

Nederlands

Deutsch

Italiano

Español

Polski

Czech

*User manual*

*Manuel d'utilisation*

*Gebruiksaanwijzing*

*Bedienungshandbuch*

*Manuale di istruzioni*

*Manual de instrucciones*

*Instrukcja obsługi*

*Návod k obsluze*

This page is intentionally left blank



## Content

Content .....	1
1 Preface .....	1
2 Your product .....	1
3 Before use .....	1
4 Assembly and adjustments .....	2
5 Using your rollator .....	4
6 Maintenance .....	5
7 Technical specifications .....	6

## 1 Preface

Congratulations! You are now owner of a Vermeiren rollator!

Thank you for your trust in the products of Vermeiren. To support you on the use of this rollator and its operating options, this manual is offered. Please read it carefully; it will help you to get familiar with the operation, capabilities and limitations of your rollator.

If you still have questions after reading this manual, do not hesitate to contact your specialist dealer. He/she will be glad to help you.

### **Important note**

To ensure your safety and to prolong the lifetime of your product, please take good care of it and have it checked and serviced on a regular basis.

This manual reflects the latest product developments. Vermeiren has the right to implement changes to this type of product without any obligation to adapt or replace similar products previously delivered.

Pictures of the product are used to clarify the instructions in this manual. Details of the depicted product may deviate from your product.

### **Information available**

On our website, <http://www.vermeiren.com/>, you will always find the most recent version of the information in this manual. Please consult this website regularly for possible updates.

Visually impaired people can download the electronic version of this manual and have it read out by means of a text-to-speech software application.

## 2 Your product



1. Handgrip
2. Seat
3. Basket
4. Wheel
5. Frame
6. Brake lever
7. Safety belt
8. Walking stick holder
9. Reflectors
10. Identification plate

## 3 Before use

### 3.1 Upon delivery

Unpack your product and verify if the delivery is complete. The following items should be included:

- rollator frame with seat, 4 wheels (mounted)
- height adjustable pushing handgrips with brakes
- shopping basket
- safety belt
- crutch holders
- manual

Verify your product for transport damage. If you find any damages after delivery, contact the transporter.

### 3.2 Intended use

Indications and contraindications: The rollator is meant as support of the leg function during walking. Do not use the rollator if you have other physical limitations that may cause unsafe use of your rollator, like a weak arm, balance disorders, impaired vision, limb loss, ...

The rollator is designed and produced solely to be used as walking aid for one person with a maximum weight of 130 kg.

The rollator will compensate the lack of adequate support by the legs by leaning on, or moving with, the rollator with usage of the upper limbs or chest. The rollator will provide better stability, support and safety during walking.

The rollator can be used indoors and outdoors.

It is not intended for transport of goods and/or more people than the user.

It should only be used on surfaces where all wheels and legs are touching the ground. Do not use the rollator on rocky, bumpy or sandy terrain, or places with a steep inclination. The rollator may become unstable. Look for flat, stable areas, and bevelled kerbs to walk with your rollator.

Please check all technical details and limits of your rollator in §7.

The warranty on this product is based on normal use and maintenance as described in this manual. Damage to your product caused by improper use or lack of maintenance will cause the warranty to lapse.

### 3.3 Safety instructions


 CAUTION Risk of injuries


**Please read and follow the instructions in this manual. Otherwise you may get injured, or your rollator may get damaged.**

- Check that no stones or other objects block the wheels of the rollator.
- Make sure that both brake levers are in parking mode before you use the rollator as aid to stand up. When you are standing comfortable and stable, you can unlock the parking brakes.

- While walking, keep both hands on the handgrips.
  - Be aware that some parts of your rollator may get very hot or cold due to ambient temperature, solar radiation, heating devices, etc. Be careful when touching.
  - Before every use, check that the handgrips are firmly secured, see §4.3.
  - Do not hold the handgrips with wet hands. If you do so, you can lose your grip and lose your balance.
  - Do not proceed with your rollator into traffic. Always stay on the pavement.
  - Take note of the instructions for care and service. The manufacturer is not liable for damage caused by improper servicing / care.
- i** Be aware that your rollator may interfere with some types of anti-theft systems, depending on the settings used. This may cause the shop's alarm to go off.

### 3.4 Symbols on the rollator

 Maximum weight of user in kg

 Type designation

### 3.5 Shipping and storage

The shipping and storage of the rollator should happen according to the technical specifications in §7. Make sure that the rollator is stored dry.

Provide sufficient covering or packaging to protect the rollator from rust and foreign bodies (e.g. salt water, sea air, sand, dust).

Make sure no objects are stored on or against the rollator to prevent damage.

## 4 Assembly and adjustments

 CAUTION Risk of injuries

**Keep fingers away from moving parts of the rollator.**

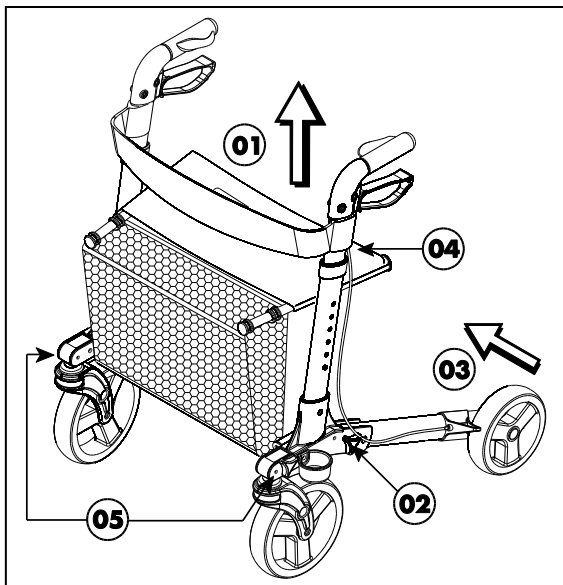
### 4.1 Assembly/Unfolding

Steps 1-8 shall be used for first time use or after transportation of the rollator.

1. Loosen the velcro straps.
2. Place the rollator on its side.

3. Move the rear wheel downwards (③) until the holes lie over each other.
4. Mount the star button ②.
5. Move the front wheel downwards until the holes lie over each other.
6. Mount the star button ⑤.
7. Place the rollator on its other side.
8. Repeat steps 3 - 6 for the other side.
9. Unfolding the rollator
  - Unfold the rollator by pushing on the handgrips.
  - Push on the tubes of the seat ④ to unfold the rollator further. Keep pushing until the locking mechanism is secured.
  - Check that the rollator is firmly secured and cannot fold anymore.
10. Adjust the pushing handgrips to the desired height (see §4.3)

Fig. 1 – Assembly / dismantling rollator



## 4.2 Folding

1. Adjust the pushing handgrips to the minimum position (see §4.3).
2. Folding the rollator
  - Pull lightly on the handgrip of the seat ① until the locking mechanism comes loose and the rollator can be folded (do these when you stand straight).
  - Fold the rollator by pushing on the handgrips or pulling on the tubes of the seat ②.
3. For transportation
  - Remove the star button ⑤.
  - Fold the front wheel upwards.
  - Remove the star button ②.
  - Fold the rear frame / wheel upwards ③.

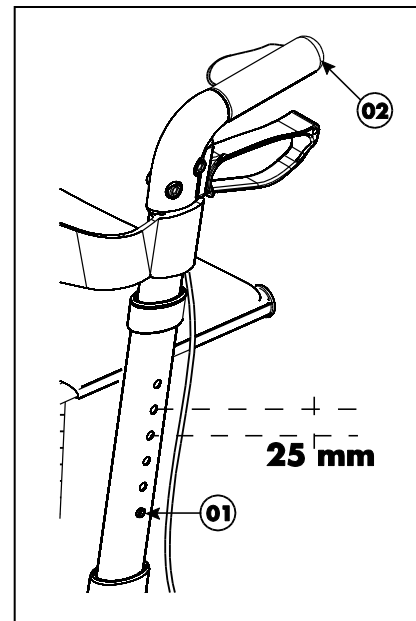
- Fasten the rear frame / wheel with the velcro straps to the frame of the handgrips.
- Repeat the steps above for the other side.

## 4.3 Handgrips

CAUTION Risk of falling

**Do not exceed the maximum adjustment, your rollator will not be stable anymore.**

Fig. 2 – Adjustment handgrips



The handgrips can be adjusted in height according to body size by the following steps:

1. Press on the spring pin ①.
2. Move the handgrip ② until the desired height (6 different positions: steps of 25 mm). Check that the brake cable cannot get stuck around the crutch holder.
3. Check that the spring pin ① is clicked back and firmly fixated in a hole.
4. Adjust the other handgrip ② with the same instructions.
5. Check that both handgrips ② are placed in the same position. When standing straight, the handgrips should be as high as your wrists. Leave your arms hanging loose. Elbows should be flexed at 20° to 30°.

## 4.4 Adjusting the brakes



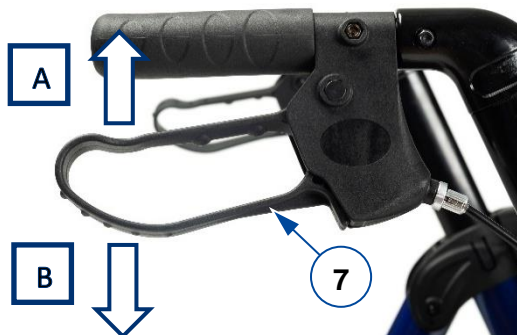
The force of the brakes can be adjusted by loosening/tightening the screw (4) on the back of the brake lever.

## 5 Using your rollator

### 5.1 Brake system

**CAUTION** Risk of falling

Check the working of the brakes to ensure your safety. The condition of the brakes is influenced by wear, oil and other contamination of the rear wheels and braking mechanism.



The rollator is equipped with brakes, operated by two brake levers (7). The brake levers operate in two modes: running brakes and parking brakes.

**CAUTION** Risk of damage

**Do not push the rollator too hard while using the running brakes. This may cause damage to the tyres or brakes.**

- To use the running brakes, pull both brake levers (7) simultaneously upwards [A] in a squeezing motion. To stop braking, release the brake levers.
- To use the parking brakes, push both brake levers (7) downwards in locked position [B]. Always use both parking brakes simultaneously. To end the parking mode, pull both brake levers simultaneously upwards.

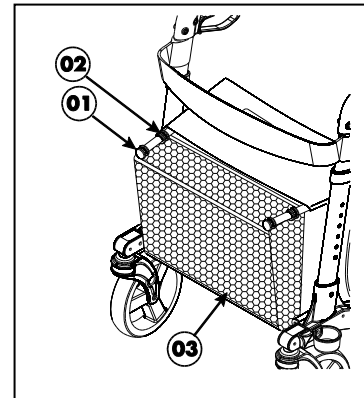
### 5.2 Basket

**CAUTION** Risk of falling

**Do not overload the shopping basket.**

The shopping basket (3) is meant to be mounted on the front side. Mount the shopping basket (3) with the two basket attachments (1) to the tubes of the rollator seat frame (2).

The maximum carrying weight from the shopping basket is 5 kg.

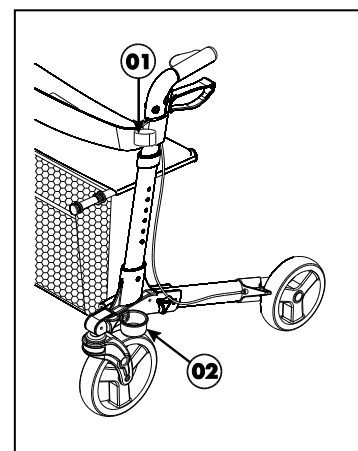


### 5.3 Mounting / Removing crutch, walking stick

**CAUTION** Risk of injury

**Check that the crutch or walking stick is firmly mounted.**

On the left side of your rollator you can find a crutch holder (2) and velcro strap (1). Place the crutch / walking stick in the crutch holder (2) and fasten the crutch / walking stick with the velcro strap (1).





## 5.4 Negotiating kerbs



CAUTION

**Risk of falling**

**Take kerbs straight, with both front wheels aligned to the kerb. Keep the rollator nearby.**

To make it easier to take small obstacles, such as kerbs, the rollator is equipped with a tipping aid on the two rear wheels.

1. Make sure you are standing stable while holding both handgrips.
2. Use one foot and push on tipping lever (14) to lift the front wheels.
3. Keep the rollator in that position with the handgrips and move slowly forward until the front wheels are on the kerb.
4. Now lift the handgrips and move forward to place the rear wheels on the kerb.
5. When the rollator is standing stable, you can take the kerb yourself.



## 5.5 Sitting down, standing up and walking



CAUTION

**Risk of falling**

**Make sure that both brake levers are in parking position before sitting down, see §5.1. Keep the brake levers in this position until you start walking again. Keep your feet between the rear wheels.**

1. Push both brake levers down to parking position.
2. While leaning on the handgrips, turn around and sit down on the seat.
3. To stand up again, lean on the handgrips and turn around.
4. Pull both brake levers up and use the running brakes.
5. Release the brake levers and step forward with the rollator close to your body.

## 6 Maintenance



Regular care ensures that your rollator is preserved in a perfectly functional condition. For the maintenance manual, refer to the Vermeiren website: [www.vermeiren.com](http://www.vermeiren.com).

## 6.1 Cleaning

Use a soft, damp cloth and lukewarm water with a mild household soap to clean the rollator. Avoid soaking. Do not use abrasive cleaning agents to clean.

## 6.2 Disinfection



CAUTION

**Risk of damage**

**Disinfections may only be undertaken by trained persons. Consult your specialist dealer.**

Use a soft, damp cloth and lukewarm water with a mild household disinfectant to clean the rollator.

## 6.3 Inspection / Service / Repairs

The expected service life of your rollator is 5 years. The lifespan is influenced by use, storage, maintenance, service and cleaning.

Before you resume use of the rollator, it should be inspected on the following points:

- Completeness.
- Folding mechanism: functioning well.
- Bolts and nuts: tightly fastened.
- Brakes: functioning well.
- Wheels (stability, tracking, fixing screws).  
In case of regular contact with wires, hair or other residues, the wheels may get blocked. Check regularly that the wheels rotate freely and that they are in good condition.
- Frame (deformation, stability, connections).
- Handgrips (safe locking of height adjustment system, good support of handgrips).
- Seat (wear or damage).

Your rollator is constructed of aluminium and plastic components. We recommend to have your rollator inspected at least once a year, but the service frequency depends on the frequency and intensity of use. Consult your specialist dealer to make an agreement on service frequency.

Repairs and replacements may only be undertaken by trained persons, and only genuine replacement parts of Vermeiren should be used. Do not hesitate to use the services offered by your specialist dealer.

He/she will be glad to assist you regarding any service and repairs.

## 6.4 Reuse

Before each reuse, have the rollator disinfected, inspected and serviced according to the instructions in §6.2 and §6.3 .

## 6.5 Disposal at end of life

At end of life, you need to dispose your rollator according to the local environmental legislation. The best way to do so, is to disassemble the rollator to facilitate the transport of recyclable parts.

## 7 Technical specifications

The technical details below are only valid for this rollator, at standard settings and optimal ambient conditions. Take these details into account during use.

<b>Brand</b>	<b>Vermeiren</b>
<b>Type</b>	<b>Rollator</b>
<b>Model</b>	<b>Quadri-Light</b>

<i>Description</i>	<i>Dimensions</i>
Maximum user weight	130 kg
Maximum load basket	5 kg
Overall length	700 mm
Folded length	700 mm For transport: 400 mm
Overall width	650 mm
Folded width	290 mm
Overall height (handgrip height)	805-930 mm
Recommended body height	155 – 185 cm
Folded height	805 mm For transport: 670 mm
Distance between handgrips	460 mm
Seat height	610 mm
Seat width	450 mm
Seat depth	200 mm
Total mass - without basket	7,25 kg 7,2 kg
Wheel diameter	Front 8" (200x40) Rear 7" (178x40)
Brakes	Running & parking brakes
Turning width	1310 mm
Storage temperature	+5°C - +41°C
Storage humidity	30% - 70%
We reserve the right to introduce technical changes. Measurement tolerance +/- 15 mm / 1,5 kg / 1,5°.	

## Table des matières

Table des matières.....	1
1 Avant-propos .....	1
2 Votre produit .....	1
3 Avant l'utilisation.....	1
4 Montage et réglages .....	3
5 Utiliser votre déambulateur .....	4
6 Entretien .....	5
7 Caractéristiques techniques.....	6

## 1 Avant-propos

Félicitations ! Vous êtes à présent l'heureux propriétaire d'un déambulateur Vermeiren!

Merci de la confiance que vous accordez aux produits de Vermeiren. Ce manuel est destiné à vous aider dans l'utilisation de ce fauteuil roulant et de ses options de fonctionnement. Veuillez le lire attentivement. Vous pourrez ainsi vous familiariser avec le fonctionnement, les capacités et les limites de votre déambulateur.

Si vous avez encore des questions après la lecture de ce manuel, n'hésitez pas à prendre contact avec votre revendeur spécialisé. Il vous aidera volontiers.

### Remarque importante

Pour assurer votre sécurité et prolonger la durée de vie de votre produit, prenez-en grand soin et faites-le contrôler ou entretenir régulièrement.

Ce manuel est le reflet des derniers développements du produit. Vermeiren a le droit d'apporter des modifications à ce type de produit sans être tenu d'adapter ou de remplacer des produits similaires fournis précédemment.

Les illustrations du produit sont utilisées afin de clarifier les instructions de ce manuel. Les détails du produit illustré peuvent diverger de votre produit.

### Informations disponibles

Sur notre site Internet [www.vermeiren.com](http://www.vermeiren.com), vous trouverez toujours la dernière version des informations décrites dans le présent manuel. Veuillez consulter régulièrement ce site Internet pour connaître les éventuelles mises à jour.

Les personnes malvoyantes peuvent télécharger la version électronique de ce

manuel et la lire au moyen d'une application de texte-parole.

## 2 Votre produit



1. Poignée
2. Siège
3. Sac de rangement
4. Roue
5. Cadre
6. Levier de frein
7. Ceinture de sécurité
8. Porte-canne
9. Réflecteurs
10. Plaque d'identification

## 3 Avant l'utilisation

### 3.1 Lors de la livraison

Déballez votre produit et vérifiez si la livraison est complète. Les pièces suivantes sont incluses dans la livraison:

- le système de cadre du déambulateur avec le siège et les 4 roues (prémontées)
- les poignées réglables en hauteur, y compris la poignée de frein et la manette
- panier
- ceinture de sécurité
- porte béquilles
- mode d'emploi

Inspectez soigneusement l'expédition afin de vous assurer que le transport n'a occasionné

aucun dommage. S'il s'avère que votre produit présente un défaut, prenez contact avec le transporteur.

### 3.2 Usage prévu

Indications et contre-indications : Le déambulateur est conçu pour soutenir la fonction de la jambe pendant la marche. N'utilisez pas votre déambulateur si vous souffrez d'autres défaillances physiques pouvant rendre l'utilisation du déambulateur dangereuse, comme une faiblesse du bras, des troubles de l'équilibre, déficience visuelle, perte de membres, etc.

Le déambulateur est exclusivement conçu et produit pour servir d'aide à la marche, pour une seule personne d'un poids maximal de 130 kg.

En prenant appui avec ses membres supérieurs ou son buste sur le déambulateur ou en le déplaçant, ce dernier compense la capacité de charge ou la force réduite des membres inférieurs. En outre, il assure une stabilité, un soutien et une sécurité accrus lors de la marche.

Il n'est pas conçu pour transporter des marchandises et/ou plus de personnes que l'utilisateur.

Le déambulateur peut être utilisé aussi bien à l'intérieur qu'à l'extérieur.

Il ne peut être utilisé que sur une surface plane avec les quatre roues touchant le sol. N'utilisez pas le déambulateur sur un terrain rocailleux, accidenté ou sablonneux, ou sur des sols en forte pente. Cela peut nuire à la stabilité du déambulateur. Pendant la marche, déplacez-vous toujours sur des surfaces planes et stables ou sur les bords biseautés du trottoir.

Consultez également les détails techniques et les limites de votre déambulateur au §7.

La garantie sur ce produit est basée sur une utilisation et un entretien normaux, tels que décrits dans le présent manuel. Les dommages à votre produit dus à un usage inapproprié ou à un manque d'entretien auront pour effet d'annuler la garantie.

### 3.3 Consignes de sécurité



ATTENTION

#### Risque de blessures

**Veillez lire et suivre les instructions stipulées dans le présent manuel d'utilisation. Autrement, vous pourriez vous blesser ou votre déambulateur pourrait être endommagé.**

- Faites bien attention à ce qu'aucune pierre ni aucun autre objet ne bloque les roues du déambulateur.
- Assurez-vous que les deux freins de stationnement soient bien enclenchés avant d'utiliser votre déambulateur pour vous aider à vous lever. Une fois que vous êtes dans une position stable et confortable, vous pouvez relâcher les freins de stationnement.
- Maintenez les deux mains sur les poignées lorsque vous avancez.
- N'oubliez pas que certaines parties de votre déambulateur peuvent devenir très chaudes ou très froides en fonction de la température ambiante, des rayons du soleil, des dispositifs de chauffage, etc. Faites donc attention lorsque vous les touchez.
- Avant chaque utilisation, vérifiez si le réglage de la hauteur est bien fixé, voir le §4.3.
- Ne tenez pas les poignées avec des mains mouillées. Si vous le faites, vous risquez de perdre votre équilibre.
- Ne vous mêlez pas à la circulation sur la chaussée avec votre déambulateur. Restez toujours sur le trottoir.
- Veuillez suivre les instructions pour le nettoyage et les contrôles. Le fabricant n'est pas responsable des dommages résultant d'une mauvaise inspection ou d'un mauvais entretien.



Sachez que votre déambulateur peut interférer avec certains types de systèmes antivol, selon les paramètres utilisés. Cela peut déclencher l'alarme du magasin.

### 3.4 Symboles sur le déambulateur



Poids maximum de l'utilisateur en kg



Indication du type

### 3.5 Transport et entreposage

L'expédition et le stockage du déambulateur doivent être réalisés conformément aux caractéristiques techniques §7. Assurez-vous que le déambulateur est entreposé correctement.

Protégez le déambulateur contre la rouille et la pénétration de substances étrangères (p. ex. eau salée, air marin, sel, poussière) au moyen d'une protection ou d'un emballage adéquat.

Lors de l'entreposage, assurez-vous qu'aucun autre objet n'est appuyé sur ou contre le déambulateur afin d'éviter tout dommage.

## 4 Montage et réglages

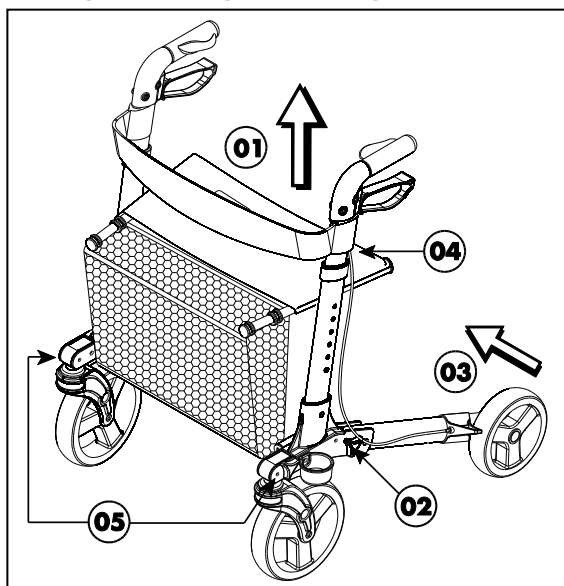

**ATTENTION**
**Risque de blessures**

**Laissez les doigts à l'écart des pièces amovibles du déambulateur.**

### 4.1 Montage / Dépliage

Les étapes 1 à 8 sont utilisées pour la première utilisation ou le transport du rollator.

Fig. 1 – Montage / démontage du rollator



1. Détachez les bandes Velcro.
2. Placez le rollator sur le côté.
3. Descendez la roue arrière (③) jusqu'à ce que les orifices soient alignés.
4. Installez le bouton étoile ②.
5. Descendez la roue avant jusqu'à ce que les orifices soient alignés.
6. Installez le bouton étoile ⑤.
7. Placez le rollator sur l'autre côté.

8. Répétez les étapes 3 à 6 pour l'autre côté.
9. Dépliez le rollator
  - Pliez le Rollator en poussant les poignées.
  - Poussez sur les tubes du siège ④, en outre pour déplier le Rollator. Continuez de pousser jusqu'à ce que le mécanisme de verrouillage se rive.
  - Vérifiez que le rollator est correctement verrouillé et ne puisse plus se replier.
10. Ajustez les poignées de poussée à la hauteur souhaitée (voir §4.3).

### 4.2 Pliage

1. Réglez les poignées coulissantes à la position minimale (voir §4.3).
2. Pliez le Rollator
  - Tirez doucement sur la poignée du siège ① de manière à ce que le mécanisme de verrouillage se débloque et que le rollator puisse être replié (faites-le en étant droit).
  - Repliez le rollator en poussant sur les poignées des tubes d'assise ②.
3. Pour le transport
  - Enlevez le bouton étoile ⑤.
  - Repliez la roue avant vers le haut.
  - Enlevez le bouton étoile ②.
  - Repliez le cadre / la roue arrière vers le haut ③.
  - Arrimez le cadre / la roue arrière avec les bandes Velcro sur le cadre des poignées.
  - Répétez les instructions ci-dessus pour l'autre côté.

### 4.3 Poignées de poussée

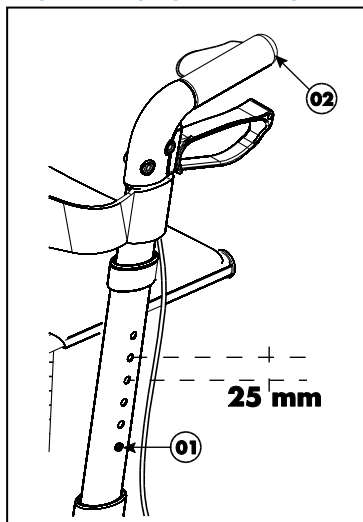

**ATTENTION**
**Risque de chute**

**Ne dépassez pas le réglage maximum, votre déambulateur pourrait perdre sa stabilité.**

Suivez la procédure ci-dessous pour ajuster la hauteur des poignées :

1. Poussez sur le goupille de blocage ①.
2. Déplacez la poignée ② à la hauteur souhaitée (6 positions différentes : écarts de 25 mm.). Vérifiez que le câble du frein ne peut pas pendre autour du support pour béquilles.
3. Vérifiez que la goupille ① soit fermement cliquée sur l'arrière dans son logement.

4. Ajustez l'autre poignée de poussée ② en suivant la même procédure.
5. Vérifiez que les deux poignées ② sont placées dans la même position. Quand vous êtes debout, les poignées doivent arriver à hauteur de vos poignets. Pour ce faire, laissez vos bras pendre. Vos coudes soient pliés à environ 20 à 30°.

**Fig. 2 – Réglage des poignées**


#### 4.4 Réglage des freins



La force des freins peut être réglée en (des)serrant la vis (4) à l'arrière du levier de frein.

## 5 Utiliser votre déambulateur

### 5.1 Système de freinage

**ATTENTION** Risque de chute

Pour garantir votre sécurité, vous devez contrôler le fonctionnement des freins. L'état du système de freinage est influencé par l'usure et la présence d'huile ainsi que de toute autre matière polluante sur les roues arrière et le mécanisme de freinage.

Le déambulateur est équipé de freins, actionnés par deux leviers de frein (7), voir la figure suivante. Les leviers de frein peuvent

être utilisés de deux manières : freins standard et freins de stationnement.



**ATTENTION** Risque de dommages

**N'appuyez pas trop fort sur le déambulateur lorsque vous utilisez les freins standard. Cela pourrait endommager les pneus ou les freins.**

- Pour utiliser le frein standard, tirez les deux leviers de frein (7) en même temps vers le haut [A] en appliquant une pression. Pour interrompre le freinage, relâchez les leviers de frein.
- Pour utiliser le frein de stationnement, poussez les deux leviers de frein (7) vers le bas jusqu'à atteindre la position verrouillée [B]. Utilisez toujours les deux freins de stationnement simultanément. Pour sortir de l'état de stationnement, tirez les deux leviers de frein en même temps vers le haut.

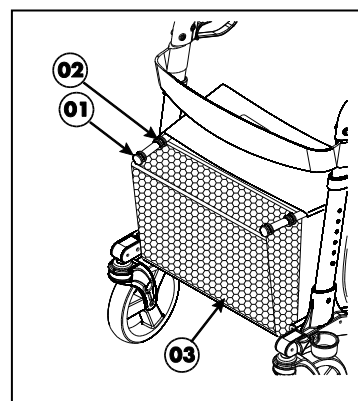
### 5.2 Panier

**ATTENTION** Risque de chute

**Ne surchargez pas le panier.**

Le panier des achats ③ doit être monté par l'avant. Installez le panier des achats ③ avec les deux fixations du panier ① sur les tubes du cadre d'assise du rollator ②.

La charge maxi supportée par le panier est de 5kg.



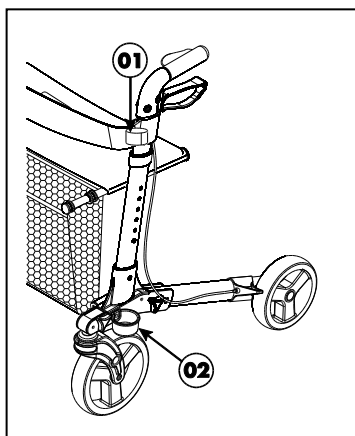
### 5.3 Pose / dépose de la béquille, canne


**ATTENTION**
**Risque de lésions**

Vérifiez que la béquille ou la canne est bien fixée.

Vous trouverez sur le côté gauche de votre rollator, une porte béquille ② et une bande Velcro ①.

Placez la béquille / canne dans la porte béquille ② et fixez la béquille / canne avec les bandes Velcro ①.



### 5.4 Franchir des bordures


**ATTENTION**
**Risque de chute**

Montez sur la bordure en restant bien droit, avec les deux roues alignées par rapport à la bordure. Gardez le déambulateur proche de vous.

Pour faciliter le franchissement de petits obstacles, tels que les bordures de trottoir, le rollator est équipé d'un levier basculeur sur les deux roues arrière.

1. Assurez-vous d'être dans une position bien stable lorsque vous tenez les deux poignées.

2. Avec votre pied, appuyez sur le levier basculeur (14) pour soulever les roues avant.

3. Maintenez le déambulateur dans cette position au moyen des poignées, et déplacez-le ensuite lentement jusqu'à ce que les roues avant se trouvent sur la bordure.

4. À présent, soulevez les poignées et avancez pour placer les roues arrière sur la bordure.



5. Une fois que le déambulateur est bien stable, vous pouvez monter vous-même sur la bordure.

### 5.5 S'asseoir, se lever et marcher


**ATTENTION**
**Risque de chute**

**Assurez-vous que les deux leviers de frein se trouvent en position de stationnement avant de vous asseoir, voir le §5.1. Maintenez les leviers de frein dans cette position jusqu'à ce que vous recommenciez à vous déplacer. Gardez vos pieds entre les roues arrière.**

1. Abaissez les deux leviers de frein en position de stationnement.

2. Vérifiez que le dossier et le siège soient abaissés et fixez-les.

3. En vous appuyant sur les poignées, retournez-vous et asseyez-vous sur le siège.

4. Pour vous redresser, appuyez-vous sur les poignées et retournez-vous.

5. Remontez les deux leviers de frein et utilisez les freins de stationnement.

6. Relâchez les leviers de frein et avancez en gardant le déambulateur proche de votre corps.

## 6 Entretien

Un entretien régulier vous permet de conserver votre déambulateur dans un parfait état de fonctionnement. Pour le manuel d'entretien, consultez le site web de Vermeiren : [www.vermeiren.com](http://www.vermeiren.com).



### 6.1 Nettoyage

Nettoyez le déambulateur à l'aide d'un chiffon doux et humide, de l'eau tiède et du savon doux pour la maison. Évitez que les pièces ne soient trempées. N'utilisez pas de produits de nettoyage abrasifs.

### 6.2 Désinfection


**ATTENTION**
**Risque de dommages**

**La désinfection ne peut être réalisée que par des personnes formées. Renseignez-vous auprès de votre commerçant spécialisé à cet égard.**

Nettoyez le déambulateur à l'aide d'un chiffon doux et humide, de l'eau tiède et d'un désinfectant doux pour la maison.

### 6.3 Inspection / Entretien / Réparation

La durée de vie prévue de votre déambulateur est de 5 ans. La durée de vie est influencée par son utilisation, son entreposage, son entretien, son service et son nettoyage.

Avant que vous ne commenciez à utiliser votre déambulateur, vous devez contrôler les points suivants :

- Présence de toutes les pièces.
- Mécanisme de pliage : fonctionne bien.
- Boulons et écrous : solidement attachés.
- Freins : fonctionnent bien.
- Roues (stabilité, empreinte, vis de fixation).  
Si vos roues entrent régulièrement en contact avec des fils, des cheveux ou d'autres fibres, elles risquent de se bloquer. Vérifiez donc régulièrement si vos roues sont capables de tourner librement et si elles se trouvent dans un bon état.
- Châssis (déformations, stabilité, connexions).
- Poignée (verrouillage sécurisé du réglage de la hauteur, bon soutien des poignées).
- Siège, dossier et sac de rangement (usure ou dommages).

Votre déambulateur est fabriqué en aluminium et en plastique. Nous vous recommandons de faire inspecter votre déambulateur au moins une fois par an, mais la fréquence d'entretien dépend de la fréquence et de l'intensité de l'utilisation. Renseignez-vous auprès de votre commerçant spécialisé pour parvenir à un accord concernant la fréquence d'entretien.

Les réparations et les remplacements ne peuvent être réalisés que par des personnes formées, et seules des pièces de remplacement d'origine de Vermeiren peuvent être utilisées. N'hésitez pas à recourir au service qui vous est proposé par votre commerçant spécialisé. Ce dernier ne manquera pas de vous venir en aide pour tout ce qui a trait au service et aux réparations.

### 6.4 Réutilisation

Avant chaque réutilisation, faites désinfecter, inspecter et entretenir le déambulateur conformément aux instructions de §6.2 et §6.3.

### 6.5 Évacuation

À la fin de sa durée de vie, votre déambulateur doit être évacué conformément à la législation environnementale locale. Il est recommandé de démonter le déambulateur afin de faciliter le transport des matériaux recyclables.

## 7 Détails techniques

Les détails techniques ci-dessous concernent uniquement ce déambulateur, avec des réglages standard et dans des conditions ambiantes optimales. Veuillez tenir compte de ces détails pendant l'utilisation.

<b>Marque</b>	<b>Vermeiren</b>
<b>Type</b>	<b>Déambulateur</b>
<b>Modèle</b>	<b>Quadri-Light</b>

<i>Description</i>	<i>Dimensions</i>
Poids maximum de l'utilisateur	130 kg
Charge maximale du sac de rangement	5 kg
Longueur générale	700 mm
Longueur plié	700 mm Pour transport: 400 mm
Largeur générale	650 mm
Largeur plié	290 mm
Hauteur générale (hauteur des poignées)	805-930 mm
Hauteur du corps recommandé	155 – 185 cm
Hauteur pliée	805 mm Pour transport: 670 mm
Distance entre les poignées	460 mm
Hauteur du siège	610 mm
Largeur du siège	450 mm
Profondeur du siège	200 mm
Masse totale - sans sac de rangement	7,25 kg 7,2 kg
Diamètres des roues Avant Arrière	8" (200x40) 7" (178x40)
Freins	Freins standard et freins de stationnement
Rayon de braquage	1310 mm
Température de stockage	+5°C - +41°C
Humidité de stockage	30 % - 70 %
Nous nous réservons le droit d'apporter des modifications techniques. Tolérance de mesure ± 15 mm / 1,5 kg / 1,5°	



## Inhoud

Inhoud.....	1
1 Voorwoord.....	1
2 Uw product.....	1
3 Voor gebruik .....	1
4 Montage en aanpassingen.....	3
5 Uw rollator gebruiken.....	4
6 Onderhoud .....	5
7 Technische gegevens .....	6

## 1 Voorwoord

Proficiat! U bent eigenaar van een Vermeiren-rollator!

Bedankt voor uw vertrouwen in de producten van Vermeiren. Om u te ondersteunen bij het gebruik van deze rollator en zijn bedieningsmogelijkheden, bieden we u deze handleiding aan. Lees deze informatie zorgvuldig door: het zal u helpen om vertrouwd te raken met de besturing, mogelijkheden en beperkingen van uw rolstoel.

Indien u na het lezen van deze handleiding nog vragen heeft, aarzel dan niet om contact op te nemen met uw vakhandelaar. Hij/Zij zal u met plezier verder helpen.

### **Belangrijke opmerking**

Om uw veiligheid te garanderen, en om de levensduur van uw product te verlengen, raden we u aan om er goed zorg voor te dragen en om regelmatig nazicht en onderhoud te laten uitvoeren.

Deze handleiding houdt rekening met de recentste productontwikkelingen. De Firma Vermeiren behoudt zich het recht voor om wijzigingen aan dit type product door te voeren zonder verplicht te zijn om voordien geleverde producten aan te passen of te vervangen.

Afbeeldingen van het product worden gebruikt om de instructies in deze handleiding te verduidelijken. Details van het afgebeelde product kunnen afwijken van uw aangekochte product.

### **Beschikbare informatie**

Op onze website [www.vermeiren.com](http://www.vermeiren.com) kan u steeds de meest recente versie terugvinden van de informatie in deze handleiding. consulteer deze website regelmatig voor mogelijke updates.

Mensen met een visuele beperking kunnen de elektronische versie van deze handleiding downloaden en laten voorlezen door een tekst-naar-spraak programma.

## 2 Uw product



1. Handgreep
2. Zit
3. Opbergzak
4. Wiel
5. Frame
6. Remhendel
7. Veiligheidsgordel
8. Houder voor wandelstok
9. Reflectoren
10. Identificatieplaat

## 3 Voor gebruik

### 3.1 Bij levering

Pak uw product uit en verifieer of de levering compleet is. Volgende onderdelen zijn bij de levering ingesloten:

- rollator frame met zit, 4 wielen (gemonteerd)
- in hoogte verstelbare handgrepen met rem
- boodschappenmandje
- veiligheidsgordel
- krukkenhouder
- handleiding

Controleer de zending zorgvuldig op transportschade. Wanneer blijkt dat uw product een defect vertoont, neem dan contact op met de transporteur.

### 3.2 Bedoeld gebruik

Indicaties en contra-indicaties: De rollator is bedoeld ter ondersteuning van de beenfunctie tijdens het lopen. Gebruik uw rollator niet indien u andere fysieke beperkingen heeft waardoor het gebruik van de rollator onveilig wordt, zoals een zwakke arm, evenwichtsstoornis, verminderd zicht, verlies van ledematen, ...

De rollator is uitsluitend ontworpen en geproduceerd om als loophulp, voor één persoon met een maximaal gewicht van 130 kg, te dienen.

Door met de bovenste ledematen of de romp op de rollator te steunen of deze te verschuiven, compenseert de rollator de verminderde belastbaarheid of de kracht van de onderste ledematen. Bovendien zorgt deze voor een betere steun en veiligheid bij het gaan.

De rollator kan zowel binnen als buiten gebruikt worden.

Hij is niet bedoeld voor het vervoer van goederen en/of meer personen dan de gebruiker.

Hij mag alleen worden gebruikt op een vlakke ondergrond waarbij alle vier de wielen de grond raken. Gebruik de rollator niet op een rotsachtig, hobbelig of zanderig terrein of op plaatsen met een steile helling. Dan kan de rollator instabiel worden. Ga tijdens het lopen altijd via vlakke, stabiele ondergronden en afgeschuinde stoepranden.

Raadpleeg ook de technische details en begrenzingen van uw rollator in §7.

De garantie op dit product is gebaseerd op normaal gebruik en onderhoud zoals beschreven in deze handleiding. De garantie vervalt bij schade die werd veroorzaakt door verkeerd gebruik of gebrek aan onderhoud.

### 3.3 Veiligheidsinstructies



VOORZICHTIG

**Kans op letsel**

**Lees en volg a.u.b. de instructies in deze gebruikershandleiding. Anders kan u gekwetst raken of raakt uw rollator mogelijk beschadigd.**

- Let erop dat er geen stenen of ander objecten de rollator wielen blokkeren.
- Zorg ervoor dat beide parkeerremmen aan staan, voordat u de rollator gebruikt als hulp om recht te staan. Zodra u comfortabel en stabiel staat, kunt u de parkeerremmen vrij zetten.
- Hou beide handen op de handgrepen tijdens het vooruit stappen.
- Hou er rekening mee dat bepaalde delen van uw rollator erg warm of koud kunnen worden ten gevolge van de omgevingstemperatuur, zonnestralen, verwarmingstoestellen, enz. Wees dus voorzichtig bij het aanraken.
- Verifieer voor elke gebruik of de hoogte verstelling goed vast staat, zie §4.3.
- Hou de handgrepen niet met natte handen vast. Als u dit wel doet kunt u uw evenwicht verliezen.
- Begeef u met uw rollator niet in het verkeer op de rijweg. Blijf op het voetpad.
- Volg de instructies voor reiniging en controles. De fabrikant is niet aansprakelijk voor schade die het gevolg is van verkeerde inspecties/ onderhoud.



Houd er rekening mee dat uw rollator, afhankelijk van de gebruikte instelling, bij sommige diefstalsystemen interferentie kan geven. Hierdoor kan het winkelalarm in werking gesteld worden.

### 3.4 Symbolen op de rollator



Maximale gewicht van de gebruiker



Type aanduiding

### 3.5 Transport en opslag

Transport en opslag van de rollator moet gebeuren volgens de specificaties in §7. Bewaar de rollator droog.

Bescherm de rollator tegen roest en het binnendringen van vreemde stoffen (bijv. zout

water, zeelucht, zand, stof) middels een degelijke afscherming of verpakking).

Zorg ervoor bij het opbergen dat er geen andere voorwerpen op of tegen de rollator liggen waardoor de rollator beschadigd kan worden.

## 4 Montage en aanpassingen

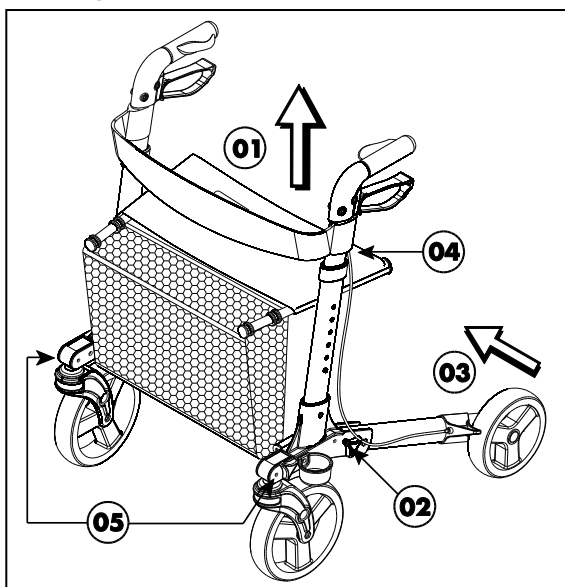
**VOORZICHTIG** **Kans op letsel**

**Houd uw vingers weg van de bewegende onderdelen van de rollator.**

### 4.1 Montage / Opvouwen

Stappen 1-8 worden gebruikt voor eerste gebruik van de rollator of om de rollator te transporteren.

Fig. 1 – Monteren / demonteren rollator



1. Maak de velcro strips los.
2. Plaats de rollator op zijn kant.
3. Beweeg het achterwiel naar beneden (③) tot dat de boringen over elkaar liggen.
4. Monteer de sterknop ②.
5. Beweeg het voorwiel naar beneden tot dat de boringen over elkaar liggen.
6. Monteer de sterknop ⑤.
7. Plaats de rollator op zijn andere kant.
8. Herhaal de stappen 3 - 6 voor de andere kant.
9. Opvouwen rollator
  - Vouw de rollator open door op de handgrepen te duwen.
  - Om de rollator verder open te vouwen kan u op de zitbuizen ④ duwen. Blijf duwen tot het vergrendelingsmechanisme vast klikt.

- Controleer dat de rollator goed is vastgemaakt en niet meer kan worden opgevouwen.

10. Verstel de handgrepen naar de gewenste hoogte (zie §4.3).

### 4.2 Opvouwen

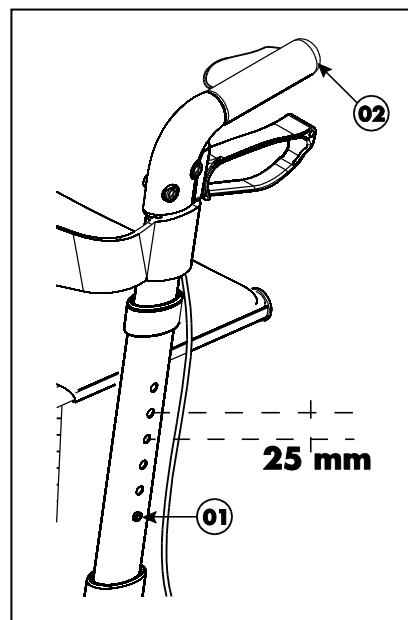
1. Verstel de handgrepen naar de minimum positie (zie §4.3).
2. Opvouwen rollator
  - Trek zachtjes aan de hangreep van de zit ① tot dat het vergrendelingsmechanisme los komt en de rollator kan worden opgevouwen (doe dit wanneer u recht staat).
  - Vouw de rollator op door te duwen op de handgrepen van de zitbuizen ②.
3. Voor transport
  - Verwijder de sterknop ⑤.
  - Vouw het voorwiel naar boven.
  - Verwijder de sterknop ②.
  - Vouw het achterste frame / wiel naar boven ③.
  - Maak het achterframe / wiel met de velcro strips vast aan het frame van de handgrepen.
  - Herhaal bovenstaande instructies voor de andere kant.

### 4.3 Handgrepen

**VOORZICHTIG** **Kans op vallen**

**Zet de handgrepen nooit boven de maximum verstelhoogte, anders wordt de rollator onstabiel.**

Fig. 2 – Verstellen van de handgrepen



De handgrepen kunnen volgens volgende instructies worden versteld:

- Duw op de borgpen ①.
- Beweeg de handgreep ② tot de gewenste hoogte (6 verschillende posities: stappen van 25 mm). Controleer dat de remkabel niet rond de krukkenhouder kan blijven hangen.
- Controleer dat de borgpen ① is terug geklikt en goed gefixeerd is in een boring.
- De andere handgreep ② kan met dezelfde instructies worden versteld.
- Controleer dat beide handgrepen ② in dezelfde positie geplaatst zijn. Als u recht staat, moeten de handgrepen ter hoogte van uw pols komen. Laat hierbij de armen losjes hangen. Ellebogen moeten worden gebogen bij 20° tot 30°.

#### 4.4 De remmen aanpassen

De remkracht kan aangepast worden door de schroef (4) aan de achterkant van de remhendel lossen/vaster te draaien.



## 5 Uw rollator gebruiken

### 5.1 Remsysteem

**VOORZICHTIG** **Kans op vallen**

Om uw veiligheid te garanderen dient u de werking van de remmen te controleren. De conditie van het remsysteem wordt beïnvloed door slijtage, de aanwezigheid van olie en andere vervuilende stoffen op de achterwielen en het remmechanisme.



De rollator is voorzien van remmen, die door twee remhendels (7) bediend kunnen worden. De remhendels kunnen op twee manieren gebruikt worden: als standaard rem of als parkeerrem.

**VOORZICHTIG** **Kans op schade**

**Duw de rollator niet te hard wanneer u de standaard rem gebruikt. Dit kan de remmen en wielen beschadigen.**

- Om de standaard rem te gebruiken trekt u beide remhendels (7) tegelijkertijd omhoog [A], in een knijpbeweging. Om het remmen te stoppen laat u de remhendels los.
- Om de parkeerrem te gebruiken, drukt u beide remhendels (7) naar beneden tot in vergrendelstand [B]. Gebruik altijd de beide parkeerremmen gelijktijdig. Om de parkeerstand te verlaten, trek beide remhendels tegelijk omhoog.

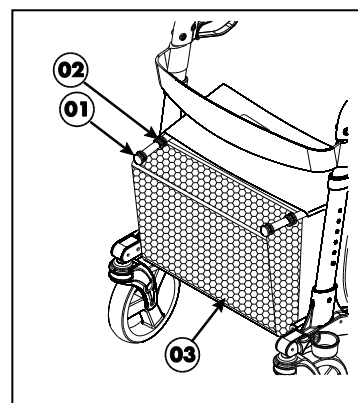
### 5.2 Mandje

**VOORZICHTIG** **Kans op vallen**

**Overlaad het boodschappenmandje niet.**

Het boodschappenmandje ③ wordt vooraan gemonteerd. Monteer het boodschappenmandje ③ met de twee bevestigingen van het mandje ① aan de buizen van het rollator zitframe ②.

Het maximum draaggewicht van het mandje is 5 kg.



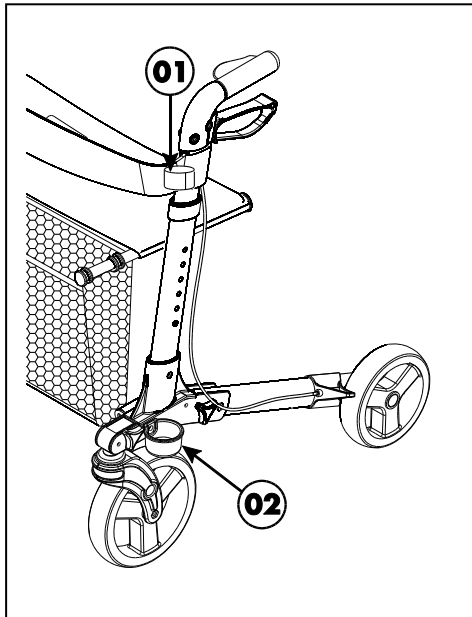
### 5.3 Monteren / verwijderen van de kruk, gaanstok

**VOORZICHTIG** **Gevaar voor letsel**

**Controleer dat de kruk of wandelstok goed is vastgemaakt.**

Aan de linkse kant van uw rollator kan u een krukkenhouder ② en velcro strip ① terug vinden.

Plaats de kruk / wandelstok in de krukkenhouder ② en maak de kruk / wandelstok vast met de velcro strips ①.



#### 5.4 Stoepranden nemen

Om het nemen van kleine obstakels, zoals stoepranden, te vergemakkelijken, is uw rollator voorzien van een tiphulp op de twee achterwielen.

1. Zorg ervoor dat u stabiel staat met beide handen op de handgrepen.
2. Gebruik één voet en duw omlaag op de tiphulp (14) om de voorwielen van de grond te tillen.
3. Houd de rollator met de handgrepen in deze positie en beweeg traag naar voor tot de voorste wielen op de stoeprand staan.
4. Til nu de handgrepen op en beweeg naar voor om de achterste wielen op de stoeprand te zetten.
5. Als de rollator stabiel staat, kan u zelf de stoeprand opstappen.



#### 5.5 Gaan zitten, opstaan, wandelen

 **VOORZICHTIG** **Kans op vallen**

Let erop dat beide remhendels in parkeerstand staan voordat u gaat zitten, zie §5.1. Laat de remhendels in deze stand staan totdat u gaat wandelen. Houd uw voeten tussen de achterwielen.

1. Duw beide remhendels neer in parkeerstand.
2. Terwijl u op de handgrepen steunt, draait u zich om en gaat u op de zit neerzitten.
3. Om opnieuw op te staan, leun op de handgrepen om op te staan en draai u om.
4. Trek beide remhendels omhoog en gebruik de standaard remmen.
5. Laat de remhendels los en stap voorwaarts met de rollator dicht bij uw lichaam.

## 6 Onderhoud

**i** Regelmatig onderhoud zorgt ervoor dat uw rollator in een perfect werkende staat blijft. Voor de onderhoudshandleiding, zie de Vermeiren website: [www.vermeiren.com](http://www.vermeiren.com).

### 6.1 Reinigen

Gebruik een zachte, vochtige doek en lauwwarm water met een milde huishoudelijke zeep om de rollator schoon te maken. Vermijd dat onderdelen doorweekt raken. Gebruik geen schoonmaakmiddelen die schuren.

### 6.2 Desinfectering

 **VOORZICHTIG** **Kans op schade**

**Desinfecteren mag enkel gebeuren door opgeleide personen. Raadpleeg uw vakhandelaar hiervoor.**

Gebruik een zachte, vochtige doek en lauwwarm water met een mild huishoudelijk desinfectiemiddel om de rollator schoon te maken.

### 6.3 Inspectie / Onderhoud / Reparatie

De verwachte levensduur van uw rollator is 5 jaar. De levensduur wordt beïnvloed door het gebruik, opslag, onderhoud, service en reiniging.

Voordat u met uw rollator op pad gaat, moet deze nagekeken worden op volgende punten:

- Volledigheid.
- Vouwmechanisme: goed werkend.
- Bouten en moeren: zitten goed vast.
- Remmen: goed werkend.
- Wielen (stabiliteit, spoor, bevestigingsschroeven).

Indien uw wielen regelmatig in contact komen met draden, haren of andere vezels, kunnen deze geblokkeerd raken. Kijk daarom regelmatig uw wielen na of ze vrij kunnen roteren en of ze in een goede staat verkeren.

- Frame (vervormingen, stabiliteit, verbindingen).
- Handgrepen (veilige blokkering van de hoogteverstelling, goede steun van de handgrepen).
- Zit, rugsteun en opbergzak (slijtage of beschadigingen).

Uw rollator is opgebouwd uit aluminium en plastic onderdelen. We raden aan om de rollator minstens één keer per jaar te laten inspecteren, maar de onderhoudsfrequentie hangt af van de frequentie en intensiteit van gebruik. Raadpleeg uw vakhandelaar om tot een overeenstemming betreffende de onderhoudsfrequentie te komen.

Reparaties en vervangingen mogen enkel door opgeleide personen gebeuren en enkel met originele vervangonderdelen van Vermeiren. Aarzel niet om de service die door uw vakhandelaar aangeboden wordt, te gebruiken. Hij/Zij zal u graag helpen met betrekking tot service en reparaties.

## 6.4 Hergebruik

Voor ieder hergebruik moet de rollator gedesinfecteerd, geïnspecteerd en onderhouden worden volgens de instructies in §6.2 en §6.3.

## 6.5 Beëindiging van gebruik

Aan het eind van de levensduur dient u uw rollator af te voeren volgens de lokale milieuwetgeving. U kunt best de rollator demonteren om transport van recyclebare materialen te vergemakkelijken.

## 7 Technische gegevens

Onderstaande technische gegevens zijn enkel geldig voor deze rollator, met standaard instellingen en optimale omgevingscondities. Houd bij gebruik rekening met deze details.

<b>Brand</b>	<b>Vermeiren</b>
<b>Type</b>	<b>Rollator</b>
<b>Model</b>	<b>Quadri-Light</b>

<i>Description</i>	<i>Dimensions</i>
Max. gewicht van gebruiker	130 kg
Maximaal vulgewicht van opbergzak	5 kg
Totale lengte	700 mm
Gevouwen lengte	700 mm Voor transport: 400 mm
Totale breedte	650 mm
Gevouwen breedte	290 mm
Totale hoogte (hoogte van de handgrepen)	805-930 mm
Aanbevolen lichaamslengte	155 – 185 cm
Gevouwen hoogte	805 mm Voor transport: 670 mm
Afstand tussen de handgrepen	460 mm
Zithoogte	610 mm
Zitbreedte	450 mm
Zitdiepte	200 mm
Totale massa - zonder mandje	7,25 kg 7,2 kg
Wieldiameter	Voor Achter 8" (200x40) 7" (178x40)
Remmen	Standaard remmen & parkeerremmen
Draaicirkel	1310 mm
Opslagtemperatuur	+5°C - +41°C
Opslag luchtvochtigheid	30% - 70%
We behouden ons het recht voor om technische wijzigingen te introduceren. Meettolerantie ± 15 mm / 1,5 kg / 1,5°	

## Inhalt

Inhalt .....	1
1 Vorwort.....	1
2 Ihr Produkt.....	1
3 Vor der Benutzung .....	1
4 Montage und Anpassungen .....	3
5 Benutzen des Rollators .....	4
6 Wartung.....	6
7 Technische Daten.....	7

## 1 Vorwort

Herzlichen Glückwunsch! Sie sind nun Besitzer eines Vermeiren-Rollator!

Vielen Dank für Ihr Vertrauen in Produkte von Vermeiren. Dieses Handbuch soll Ihnen bei der Benutzung dieses Rollstuhls und seiner Bedienmöglichkeiten helfen. Lesen Sie es daher bitte aufmerksam durch, um sich mit der Bedienung, den Fähigkeiten und Beschränkungen Ihres Rollator vertraut zu machen.

Sollten Sie nach der Lektüre dieses Handbuchs noch Fragen haben, können Sie sich jederzeit an Ihren Fachhändler wenden. Er wird Ihnen gerne in dieser Angelegenheit weiterhelfen.

### **Wichtiger Hinweis**

Um Ihre Sicherheit zu gewährleisten und die Nutzungsdauer Ihres Produkts zu verlängern, sollten Sie es gut behandeln und regelmäßig überprüfen und/oder warten lassen.

Dieses Handbuch enthält die neuesten Produktentwicklungen. Vermeiren behält sich das Recht vor, Veränderungen an dieser Art von Produkt vorzunehmen, ohne eine Verpflichtung einzugehen, ähnliche bereits ausgelieferte Produkte anzupassen oder auszutauschen.

Abbildungen des Produkts dienen zur Verdeutlichung der Anweisungen in diesem Handbuch. Das gezeigte Produkt kann in Details von Ihrem Produkt abweichen.

### **Verfügbare Informationen**

Auf unserer Webseite [www.vermeiren.com](http://www.vermeiren.com) finden Sie stets die aktuellste Version der in diesem Handbuch beschriebenen Informationen. Informieren Sie sich bitte regelmäßig auf dieser Website nach eventuell verfügbaren Aktualisierungen.

Sehbehinderte Menschen können sich die elektronische Version dieses Handbuchs herunterladen und mit Hilfe einer Sprachsyntheselösung („Text-to-Speech-Software“) vorlesen lassen.

## 2 Ihr Produkt



1. Handgriff
2. Sitz
3. Korb
4. Vorderräder
5. Rahmen
6. Bremshebel
7. Rückengurt
8. Halterung für Gehstock
9. Reflektoren
10. Typenschild

## 3 Vor der Benutzung

### 3.1 Bei Lieferung

Packen Sie Ihr Produkt aus und kontrollieren Sie, ob die Lieferung vollständig ist. Die folgenden Teile sind im Lieferumfang enthalten:

- Rollatorrahmensystem inkl. Sitzbank, 4 Räder (vormontiert)
- Höhenverstellbare Schiebegriffe inkl. Brems- und Handgriff
- Einkaufskorb
- Rückengurt
- Gehstützenhalter
- Gebrauchsanweisung

Prüfen Sie die Sendung sorgfältig auf Transportschäden. Sollten Sie nach der Auslieferung Schäden feststellen, wenden Sie sich an den Frachtführer.

### 3.2 Bestimmungsgemäße Verwendung

Indikationen und Kontraindikationen: Der Rollator dient zur Unterstützung der Beinfunktion beim Gehen. Benutzen Sie Ihren Rollator nicht, wenn Sie andere körperliche Einschränkungen haben, durch die die Nutzung des Rollators unsicher wird, zum Beispiel bei geschwächter/eingeschränkter Armfunktion, Gleichgewichtsstörungen, Sehbehinderung, Gliedmaßenverlust, usw.

Der Rollator ist ausschließlich als Gehhilfe für eine Person mit einem maximalen Gewicht von 130 kg vorgesehen.

Indem Sie sich mit den oberen Extremitäten oder dem Rumpf auf den Rollator stützen oder diesen verschieben, gleicht der Rollator die verminderte Belastbarkeit oder Leistungsfähigkeit der unteren Extremitäten aus. Außerdem sorgt er für eine bessere Unterstützung und Sicherheit beim Gehen.

Der Rollator kann sowohl innen wie außen genutzt werden.

Der Rollator ist nicht für den Transport von Gegenständen und/oder von mehr Personen als dem Benutzer vorgesehen.

Er darf nur auf einem ebenen Untergrund verwendet werden, bei dem alle Räder und Stützen Bodenkontakt haben. Nutzen Sie den Rollator nicht auf steinigem, holperigem oder sandigen Böden oder starkem Gefälle, da sonst Kippgefahr besteht. Führen Sie den Rollator beim Gehen immer über einen ebenen, stabilen Untergrund und abgesenkte Bordsteinkanten.

Sehen Sie sich auch die technischen Daten und die Grenzen Ihres Rollators in Abschnitt 7 an.

Die Garantie für dieses Produkt beruht auf dessen normaler Benutzung und Wartung wie in diesem Handbuch beschrieben. Schäden an Ihrem Produkt, die auf unsachgemäße Benutzung oder mangelnde Wartung zurückzuführen sind, führen zum Erlöschen der Garantie.

### 3.3 Sicherheitshinweise



VORSICHT

**Verletzungsgefahr**

**Bitte lesen und befolgen Sie die Anweisungen in dieser Bedienungsanleitung, da andernfalls Verletzungsgefahr besteht oder Ihr Rollator beschädigt werden könnte.**

- Achten Sie darauf, dass sich keine Steine oder andere Gegenstände in den Laufflächen der Räder befinden und dadurch die Räder des Rollators blockieren.
- Achten Sie darauf, dass beide Feststellbremsen erst immer in die Parkposition gestellt werden, bevor Sie den Rollator als Hilfsmittel zum Aufstehen benutzen. Lösen Sie die Feststellbremsen erst, wenn Sie sicher stehen.
- Halten Sie beide Hände an den Handgriffen, wenn Sie vorwärts gehen.
- Beachten Sie, dass bestimmte Teile Ihres Rollators infolge der Umgebungstemperatur, Sonneneinstrahlung, Heizkörpern usw. sehr warm oder sehr kalt werden können. Seien Sie also vorsichtig beim Berühren.
- Überprüfen Sie vor jeder Nutzung, ob die Höheneinstellungen richtig fixiert sind, siehe Abschnitt 4.3.
- Fassen Sie die Handgriffe nicht mit nassen Händen an. Sie könnten abrutschen und den Halt verlieren.
- Begeben Sie sich mit Ihrem Rollator nicht in den fließenden Verkehr. Bleiben Sie auf dem Fußweg.
- Beachten Sie die Pflege- und Wartungshinweise. Bei Schäden aufgrund von mangelnder Wartung/ Pflege haftet der Hersteller nicht.



Bitte beachten sie, dass Ihr Rollator je nach den verwendeten Einstellungen einige Arten von Diebstahlsicherungssystemen beeinträchtigen kann. Dies kann dazu führen, dass der Sicherungsalarm des Shops ausgelöst wird.



### 3.4 Symbole an dem Rollator



Maximales Gewicht des Benutzers



Typbezeichnung

### 3.5 Versand und Aufbewahrung

Versand und Aufbewahrung des Rollators sollten gemäß den technischen Spezifikationen in §7 erfolgen. Achten Sie darauf, dass der Rollator an einem trockenen Ort aufbewahrt wird.

Schützen Sie den Rollator mit einer geeigneten Abdeckung oder Verpackung gegen Rost und das Eindringen von Fremdkörpern (z. B. Salzwasser, Seeluft, Sand und Staub).

Achten Sie beim Aufbewahren des Rollators darauf, dass keine anderen Gegenstände auf dem Rollator abgelegt oder daran gelehnt werden, weil der Rollator hierdurch beschädigt werden kann.

## 4 Montage und Anpassungen



VORSICHT

Verletzungsgefahr

**Halten Sie Ihre Finger fern von sich bewegenden Teilen der Rollator.**

### 4.1 Montage/Auffalten

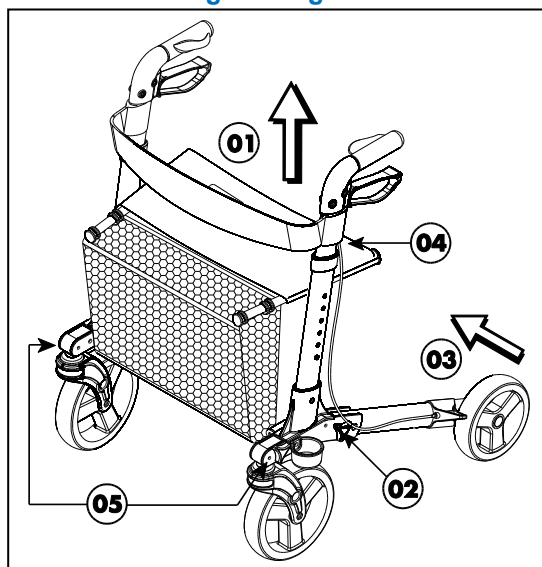
Die Schritte 1 bis 8 sind vor der ersten Verwendung oder vor dem Transport des Rollators durchzuführen.

1. Lösen Sie die Klettverschlüsse.
2. Legen Sie den Rollator auf die Seite.
3. Führen Sie das Hinterrad nach unten (③), bis die Löcher ordnungsgemäß übereinander liegen.
4. Montieren Sie das Sternrad ②.
5. Führen Sie das Vorderrad nach unten, bis die Löcher ordnungsgemäß übereinander liegen.
6. Montieren Sie das Sternrad ⑤.
7. Legen Sie den Rollator auf die andere Seite.
8. Wiederholen Sie die Schritte 3 bis 6 auf der anderen Seite.
9. Aufklappen des Rollators
  - Entfalten Sie den Rollator in dem Sie die Handgriffe seitlich drücken.

- Drücken Sie auf das Sitzrohr ④ um den Rollator in die endgültige Position zu falten. Drücken Sie so lange, bis der Verriegelungsmechanismus einrastet.
- Vergewissern Sie sich, dass der Rollator sicher eingerastet ist und nicht mehr zusammenklappt.

10. Stellen Sie die Schiebegriffe auf die gewünschte Höhe ein (siehe §4.3).

Abb. 1 – Montage/Zerlegen des Rollators



### 4.2 Zusammenfallen

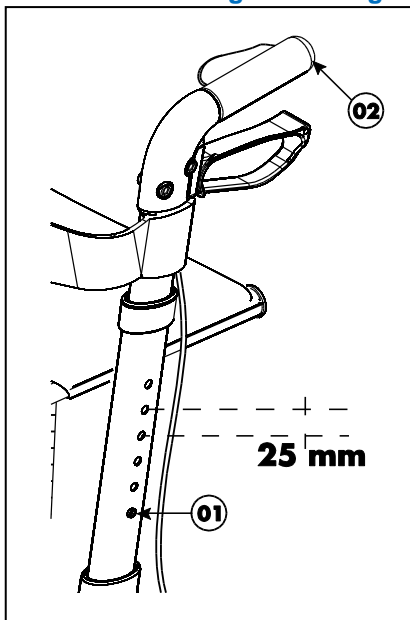
1. Stellen Sie die Höhe der Handgriffe - auf Minimum (siehe §4.3).
2. Zusammenklappen des Rollators
  - Ziehen Sie vorsichtig am Handgriff des Sitzes ①, bis der Verriegelungsmechanismus entriegelt. Stellen Sie sich dazu in aufrechter Position hin.
  - Falten Sie den Rollator zusammen indem Sie die Handgriffe oder die Sitzrohre zusammendrücken ②.
3. Vorbereitung für den Transport
  - Lösen Sie das Sternrad ⑤.
  - Klappen Sie das Vorderrad nach oben.
  - Lösen Sie das Sternrad ②.
  - Klappen Sie den hinteren Rahmen/das Hinterrad nach oben ③.
  - Befestigen Sie den hinteren Rahmen/das Hinterrad mit Klettverschlüssen am Rahmen der Handgriffe.
  - Wiederholen Sie die Schritte auf der anderen Seite.

## 4.3 Handgriffe


**VORSICHT**
**Sturzgefahr**

Überschreiten Sie nicht die max. Schiebegriffhöhe, da Ihr Rollator sonst nicht mehr stabil und sicher genutzt werden kann.

Abb. 2 – Einstellung der Handgriffe



Die Handgriffe lassen sich in folgenden Schritten auf die richtige Höhe einstellen:

1. Drücken Sie auf den Federknopf ①.
2. Ziehen Sie den Handgriff ② in die gewünschte Höhe (6 verschiedene Positionen in 25mm-Schritten). Achten Sie darauf, dass sich der Brems-Bowdenzug nicht im Gehstützenhalter verfängt.
3. Prüfen Sie, dass der Federknopf ① wieder sichtbar einrastet.
4. Stellen Sie den anderen Handgriff ② auf die gleiche Weise ein.
5. Stellen Sie sicher, dass beide Handgriffe ② in der gleichen Position stehen. (Bei aufrechtem Stehen sollten die Handgriffe in Höhe Ihrer Handgelenke stehen). Lassen Sie dazu Ihre Arme locker nach unten hängen. Die Ellenbogen sollten leicht gebeugt sein (ca. 20°-30°).

## 4.4 Einstellen der Bremsen

Die Bremskraft kann durch Lösen / Anziehen der Schraube (4) auf der Rückseite des Bremshebels eingestellt werden.



## 5 Benutzen des Rollators

### 5.1 Bremssystem


**VORSICHT**
**Sturzrisiko**

Der Zustand des Bremssystems kann durch Verschleiß, die Anwesenheit von Öl und anderen Verunreinigungen an den Hinterrädern und dem Bremsmechanismus beeinträchtigt werden. Um Ihre Sicherheit zu gewährleisten, sollten Sie die Funktion der Bremsen vor jeder Nutzung kontrollieren.



Der Rollator ist mit Bremsen ausgestattet, die mit zwei Bremshebeln (7) betätigt werden, siehe nächste Abbildung. Die Bremshebel können auf zwei Arten genutzt werden: als normale Bremse (Betriebsbremse) und als Feststellbremse (Parkbremse).


**VORSICHT**
**Beschädigungsgefahr**

Schieben Sie den Rollator nicht zu stark, wenn Sie die Betriebsbremse betätigen. Hierdurch könnten die Reifen oder Bremsen beschädigt werden.

- Um die normale Bremse zu benutzen, ziehen Sie beide Bremshebel (7) gleichzeitig in einer zusammen-drückenden Bewegung nach oben [A]. Um

den Bremsvorgang zu beenden, lassen Sie die Bremshebel los.

- Um die Feststellbremse zu aktivieren, drücken Sie beide Bremshebel (7) nach unten in die Einraststellung [B]. Aktivieren Sie immer beide Feststellbremsen gleichzeitig. Zum Lösen der Feststellbremsen ziehen Sie beide Bremshebel gleichzeitig nach oben.

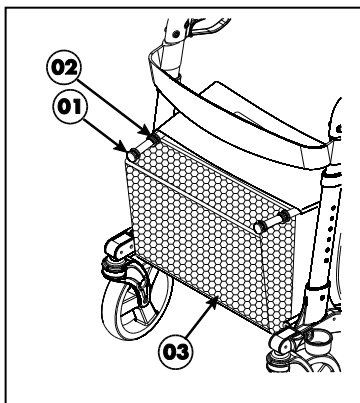
## 5.2 Korb

VORSICHT **Kippgefahr**

**Überladen Sie nicht den Einkaufskorb.**

Der Einkaufskorb ③ ist nur zum Anbau an der Vorderseite unter dem Sitz gedacht. Montieren Sie den Einkaufskorb ③ mit den beiden Korbbefestigungen ① am Gestänge des Sitzrahmens des Rollators ②.

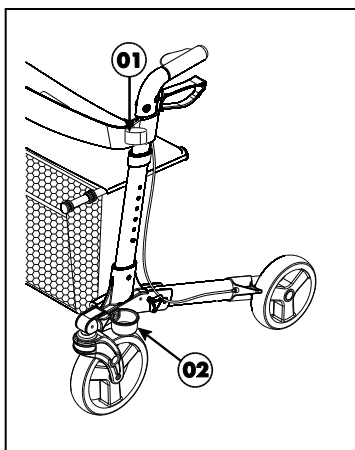
Die maximale Zuladung des Korbes beträgt max. 5 kg.



## 5.3 Befestigen/Entfernen von Gehstützen und Gehstöcken

VORSICHT **Verletzungsgefahr**

**Vergewissern Sie sich, dass die Gehstütze bzw. der Gehstock sicher befestigt ist.**



Auf der linken Seite des Rollators befindet sich ein Gehstützenhalter ② mit Klettverschluss ①.

Setzen Sie die Gehstütze/den Gehstock in den Gehstützenhalter ② ein, und befestigen Sie die Gehstütze/den Gehstock mit dem Klettverschluss ①.

## 5.4 Bewältigen von Bordsteinkanten

VORSICHT **Sturzrisiko**

**Nehmen Sie Bordsteinkanten direkt, mit beiden Vorderrädern ausgerichtet auf die Bordsteinkante. Halten Sie den Rollator nahe.**

Um das Überwinden kleiner Hindernisse, wie z.B. Bordsteine, zu erleichtern, ist der Rollator mit einer Kipphilfe an den beiden Hinterrädern ausgestattet.

1. Stellen Sie sicher, dass Sie stabil stehen und halten Sie beide Handgriffe.
2. Drücken Sie mit einem Fuß auf den Kipphebel (14), um die Vorderräder anzuheben.
3. Halten Sie den Rollator mit den Handgriffen in dieser Position und schieben Sie ihn langsam nach vorne, bis die Vorderräder auf dem Bordstein stehen.
4. Heben Sie jetzt die Handgriffe an und schieben Sie den Rollator weiter nach vorne, um die Hinterräder auf den Bordstein zu stellen.
5. Wenn der Rollator stabil steht, können Sie selbst die Bordsteinkante in Angriff nehmen.



## 5.5 Setzen, Aufstehen und Gehen

VORSICHT **Sturzrisiko**

**Achten Sie darauf, dass beide Bremshebel in Parkposition sind, bevor Sie sich setzen, siehe Abschnitt 5.1. Halten Sie die Bremshebel in dieser Position, bis Sie wieder zu gehen beginnen. Bleiben Sie mit Ihren Füßen zwischen den Hinterrädern.**

1. Drücken Sie beide Bremshebel herunter in die Parkposition.
2. Stützen Sie sich auf die Handgriffe, drehen Sie sich um und setzen Sie sich auf die Sitzfläche.

3. Zum Aufstehen stützen Sie sich auf die Handgriffe und drehen Sie sich um.
4. Ziehen Sie beide Bremshebel nach oben und benutzen Sie die Betriebsbremsen.
5. Lassen Sie die Bremshebel los und machen Sie mit dem Rollator nahe vor Ihrem Körper einen Schritt vorwärts.


## 6 Wartung

**i** Durch eine regelmäßige Pflege wird Ihr Rollator in einem einwandfreiem Zustand bleiben. Hinweise zur Wartung entnehmen Sie bitte der Website von Vermeiren: [www.vermeiren.com](http://www.vermeiren.com).

### 6.1 Reinigung

Verwenden Sie zum Reinigen des Rollators ein weiches, feuchtes Tuch und lauwarmes Wasser mit einer milden Seifenlösung für den Haushalt. Vermeiden Sie eine Durchnässung der Teile. Verwenden Sie keine scheuernden Reinigungsmittel.

### 6.2 Desinfektion

 **VORSICHT** **Beschädigungsgefahr**  
**Eine Desinfektion darf nur von dafür geschultem Personal durchgeführt werden. Wenden Sie sich hierfür an Ihren Fachhändler.**

Verwenden Sie zum Reinigen des Rollators ein weiches, feuchtes Tuch und lauwarmes Wasser mit einem milden Desinfektionsmittel für den Haushalt.

### 6.3 Inspektion / Wartung / Reparatur

Die erwartete Nutzungsdauer Ihres Rollators beträgt 5 Jahre. Die Lebensdauer Ihres Rollators hängt von der Art der Nutzung, der Einlagerung, der Pflege, Wartung und Reinigung ab.

Bevor Sie Ihren Rollator wieder nutzen, muss dieser auf die folgenden Punkte kontrolliert werden:

- Vollständigkeit.
- Funktion des Faltmechanismus: funktioniert gut.
- Schrauben und Muttern: fest angezogen.
- Bremsen: funktionieren gut.

- Räder (Stabilität, Spur, Befestigungsschrauben).  
Wenn die Räder regelmäßig mit Drähten, Haaren oder anderen Fasern in Kontakt kommen, können sie hierdurch blockiert werden. Kontrollieren Sie daher regelmäßig, ob sich die Räder leichtgängig drehen lassen und in gutem Zustand befinden.
- Rahmen (Verformung, Standsicherheit, Verschraubungen).
- Handgriff (sichere Arretierung der Höhenverstellung, sicherer Halt der Handgriffe).
- Sitzfläche (Verschleiß oder Beschädigung).

Ihr Rollator besteht aus Aluminium- und Kunststoffkomponenten. Wir empfehlen, Ihren Rollator mindestens einmal pro Jahr überprüfen zu lassen, aber die Wartungshäufigkeit hängt von der Häufigkeit und Intensität der Nutzung ab. Beraten Sie sich bezüglich der geeigneten Wartungshäufigkeit mit Ihrem Fachhändler.

Reparaturen und Erneuerungen dürfen nur von geschultem Personal und mit Original-Ersatzteilen von Vermeiren durchgeführt werden. Fühlen Sie sich frei, den von Ihrem Fachhändler angebotenen Service zu nutzen. Er wird Ihnen gerne in Bezug auf Service und Reparaturen behilflich sein.

### 6.4 Wiederverwendung

Lassen Sie den Rollator vor jeder Wiederverwendung gemäß den Anweisungen in §6.2 und §6.3 desinfizieren, inspizieren und warten.

### 6.5 Entsorgung

Am Ende seiner Lebensdauer muss der Rollator in Übereinstimmung mit den örtlichen Umweltgesetzen entsorgt werden. Am besten demontieren Sie den Rollator, um den Transport von wiederverwertbaren Materialien zu erleichtern.

## 7 Technische Daten

Die nachstehenden technischen Daten gelten für diesen Rollator nur bei Standardeinstellungen und optimalen Umgebungsbedingungen. Berücksichtigen Sie diese Daten bei der Benutzung.

<b>Hersteller</b>	<b>Vermeiren</b>
<b>Typ</b>	<b>Rollator</b>
<b>Modell</b>	<b>Quadri-Light</b>

<b>Beschreibung</b>	<b>Abmessungen</b>
Maximales Gewicht des Benutzers	130 kg
Maximale Zuladung der Aufbewahrungstasche	5 kg
Gesamtlänge	700 mm
Länge zusammengeklappt	700 mm Für dem Transport: 400 mm
Breite	650 mm
Breite zusammengeklappt	290 mm
Höhe (Höhe der Handgriffe)	805 – 930 mm
Empfohlene Körpergröße	155 – 185 cm
Höhe zusammengeklappt	805 mm Für dem Transport: 670 mm
Abstand zwischen den Handgriffen	460 mm
Sitzhöhe	610 mm
Sitzbreite	450 mm
Sitztiefe	200 mm
Gesamtgewicht - ohne Aufbewahrungstasche	7,25 kg 7,2 kg
Räder Vorder Hinter	8" (200 x 40) 7" (178 x 40)
Bremsen	Betriebsbremse und Feststellbremse
Wendekreis	1310 mm
Temperaturbereich für Lagerung:	+5 °C bis +41 °C
Luftfeuchtigkeit bei der Lagerung	30% - 70%
Technische Änderungen behalten wir uns vor. Messtoleranz von ± 15 mm / 1,5 kg / 1,5 °	



## Sommario

Sommario .....	1
1 Premessa.....	1
2 Il prodotto.....	1
3 Prima dell'uso .....	1
4 Montaggio e regolazioni.....	3
5 Uso del deambulatore .....	4
6 Manutenzione.....	5
7 Dati tecnici .....	6

## 1 Premessa

Congratulazioni! Ora possiede un deambulatore Vermeiren!

Grazie per la fiducia accordata ai prodotti Vermeiren. Questo manuale viene fornito come supporto per l'uso della carrozzina e delle sue opzioni operative. Leggerlo attentamente, in quanto aiuta a familiarizzarsi con il funzionamento, le prestazioni e le limitazioni del deambulatore.

Per eventuali ulteriori domande successive alla lettura di questo manuale, rivolgersi al proprio rivenditore specializzato, che sarà lieto di fornire un supporto.

### Nota importante

Per garantire la propria sicurezza e prolungare la durata del prodotto, trattarlo con cura e farlo controllare e/o sottoporlo a manutenzione con regolarità.

Questo manuale rispecchia gli sviluppi più recenti del prodotto. Vermeiren si riserva il diritto di introdurre modifiche di questo tipo di prodotto senza alcun obbligo di adattare o sostituire i prodotti analoghi consegnati in precedenza.

Le immagini del prodotto vengono utilizzate per chiarire le istruzioni contenute nel manuale. I dettagli del prodotto raffigurato possono essere diversi da quelli del prodotto in uso.

### Informazioni disponibili

Sul sito Web di Vermeiren, all'indirizzo [www.vermeiren.com](http://www.vermeiren.com), è sempre disponibile la versione più recente delle informazioni contenute in questo manuale. Visitare con regolarità tale sito per verificare l'esistenza di eventuali aggiornamenti.

Le persone ipovedenti possono scaricare la versione elettronica di questo manuale e farlo leggere da un software applicativo di sintesi vocale.

IT

## 2 Il prodotto



1. Impugnatura
2. Sedile
3. Borsa per gli acquisti
4. Ruote
5. Telaio
6. Leva del freno
7. Cintura di sicurezza
8. Supporto per bastone da passeggio
9. Riflettori
10. Targhetta di identificazione

## 3 Prima dell'uso

### 3.1 Alla consegna

Disimballare il prodotto e verificare che sia completo. Devono essere presenti i seguenti articoli:

- Telaio del rollator, compreso sedile e 4 ruote (premontati)
- Maniglie di spinta regolabili in altezza, complete di freno e impugnatura
- Cestello per la spesa
- Cintura di sicurezza
- Porta stampella
- Manuale di istruzioni

Verificare che il prodotto non presenti danni dovuti al trasporto. Se si rilevano danni dopo la consegna, mettersi in contatto con il proprio fornitore.

### 3.2 Uso previsto

Indicazioni e controindicazioni: Il deambulatore è studiato per supportare il funzionamento delle gambe durante la deambulazione. Non utilizzarlo se si soffre di altre limitazioni fisiche, come debolezza delle braccia, disturbi dell'equilibrio e così via, vista compromessa, perdita degli arti, in grado di causare un uso non sicuro del deambulatore.

Il deambulatore è progettato e realizzato esclusivamente per l'uso come ausilio per la deambulazione di una sola persona di peso non superiore a 130 kg.

Il deambulatore compensa l'assenza di un sostegno adeguato da parte delle gambe dell'utente, che deve appoggiarsi o spostarsi con esso servendosi degli arti superiori o del busto. Il deambulatore offre un maggior livello di stabilità, supporto e sicurezza durante la deambulazione.

È possibile utilizzare il deambulatore al coperto e all'aperto.

Esso non è destinato al trasporto di merci e/o di persone in più oltre all'utente.

Esso deve essere utilizzato soltanto su superfici sulle quali tutte le quattro ruote tocchino il suolo. Non utilizzare il deambulatore su terreni pietrosi, irregolari o sabbiosi, o in punti con una forte inclinazione. Il deambulatore può diventare instabile. Per camminare con il deambulatore, scegliere aree piane e stabili e cordoli smussati.

Verificare tutti i dettagli tecnici e le limitazioni del deambulatore nel §7.

La garanzia del prodotto presuppone un uso e una manutenzione normali del medesimo, come descritti in questo manuale. I danni al prodotto dovuti a uso improprio o manutenzione carente causano la decadenza della garanzia.

### 3.3 Istruzioni di sicurezza

**ATTENZIONE****Rischio di lesioni**

**Leggere e osservare le istruzioni contenute in questo manuale. In caso contrario, è possibile ferirsi o danneggiare il deambulatore.**



- Verificare che nessuna pietra o altro oggetto blocchi le ruote del deambulatore.
- Prima di utilizzare il deambulatore come ausilio per alzarsi in piedi, accertarsi che entrambe le leve dei freni si trovino in posizione di parcheggio. È opportuno sbloccare i freni di parcheggio soltanto una volta che si sia in piedi in modo confortevole e stabile.
- Durante la deambulazione, tenere entrambe le mani sulle impugnature.
- Non dimenticare che alcune parti del deambulatore possono diventare molto calde o fredde a causa della temperatura ambiente, della radiazione solare, di dispositivi di riscaldamento e così via. Prestare attenzione quando si tocca il deambulatore.
- Prima di ogni impiego, verificare che le regolazioni dell'altezza siano saldamente bloccate; vedere i §4.3.
- Non afferrare le impugnature con le mani bagnate. In caso contrario si possono perdere la presa e l'equilibrio.
- Non utilizzare il deambulatore nel traffico. Rimanere sempre sul marciapiede.
- Prendere nota delle istruzioni per la cura e la manutenzione. Il produttore declina ogni responsabilità per danni dovuti a errori di manutenzione/cura.

**i** Tieni presente che il tuo rollator potrebbe interferire con qualche sistema di antifurto, a seconda delle impostazioni utilizzate ciò potrebbe fra scattare l'allarme del negozio.

### 3.4 Simboli presenti sul deambulatore



Peso massimo dell'utente in kg



Indicazione del modello



### 3.5 Spedizione e magazzinaggio

La spedizione e il magazzinaggio del deambulatore devono avvenire come indicato nelle specifiche tecniche riportate nel §7. Avere cura di immagazzinare il deambulatore in un luogo asciutto.

Fornire una copertura o un imballaggio sufficienti a proteggere il deambulatore da ruggine e corpi estranei (ad esempio acqua salata, aria di mare, sabbia e polvere).

Per evitare danni, accertarsi che sul deambulatore, o contro il medesimo, non sia immagazzinato alcun oggetto.

## 4 Montaggio e regolazioni

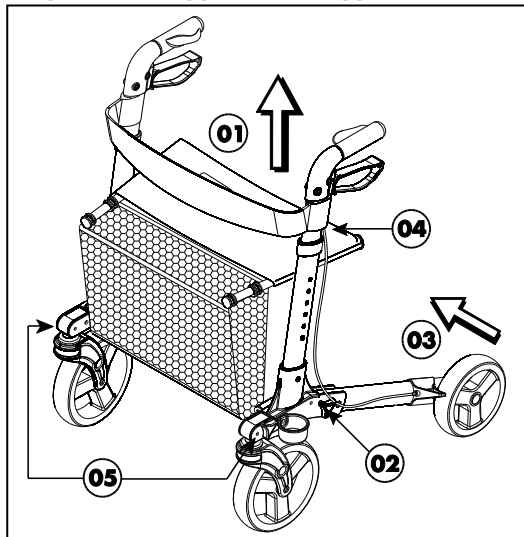

**ATTENZIONE**
**Rischio di lesioni**

**Tenere le dita lontano dalle parti mobili del rollator.**

### 4.1 Montaggio / Apertura

Le fasi da 1 a 8 devono essere seguite per il primo utilizzo o per il trasporto del rollator.

Fig. 1 – Montaggio / smontaggio del rollator



1. Allentare le strisce in velcro.
2. Appoggiare il rollator su un fianco.
3. Muovere la ruota posteriore verso il basso (③) finché i fori non sono posizionati uno sopra l'altro.
4. Montare la manopola a stella ②.
5. Muovere la ruota anteriore verso il basso finché i fori non sono posizionati uno sopra l'altro.
6. Montare la manopola a stella ⑤.
7. Appoggiare il rollator sull'altro fianco.
8. Ripetere le fasi da 3 a 6 per l'altro lato.

### 9. Aprire il rollator

- Aprire il rollator premendo sulle impugnature.
- Premere su tubi del sedile ④ per aprire ulteriormente il rollator. Tenere premuto fino al fissaggio del meccanismo di blocco.
- Controllare che il rollator sia fissato saldamente e che non possa più ripiegarsi.

### 10. Regolare le impugnature di spinta all'altezza desiderata (vedi §4.3).

## 4.2 Chiusura

### 1. Regolare le impugnature di spinta all'altezza minima (vedi §4.3)

### 2. Rollator pieghevole

- Tirare leggermente l'impugnatura del sedile ① fino ad allentare il meccanismo di blocco in modo che sia possibile ripiegare il rollator (eseguire questa procedura mentre ci si trova in piedi in posizione diritta).
- Piegare il rollator premendo sulle impugnatura o sui tubi del sedile ②.

### 3. Per il trasporto

- Rimuovere la manopola a stella ⑤.
- Ripiegare la ruota anteriore verso l'alto.
- Rimuovere la manopola a stella ②.
- Ripiegare la ruota / il telaio posteriore verso l'alto ③.
- Assicurare la ruota / il telaio posteriore al telaio delle impugnature con le strisce in velcro.
- Ripetere la procedura descritta sopra per l'altro lato.

## 4.3 Maniglie di spinta


**ATTENZIONE**
**Rischio di caduta**

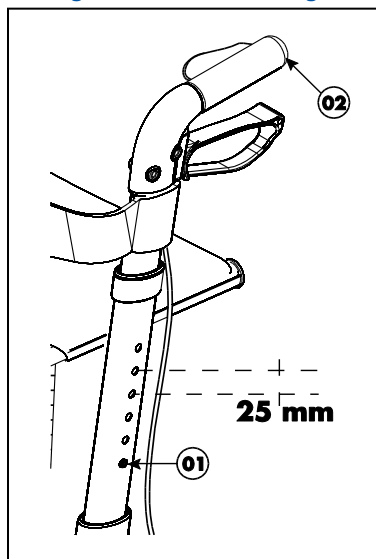
**Per evitare rischi di caduta: non portare il rollator alla massima altezza causando perdita di stabilità.**

Per regolare in altezza le maniglie di spinta, seguire la procedura seguente:

1. Premere sull'aggancio ①.
2. Muovere le maniglie di spinta ② fino all'altezza desiderata (6 posizioni diverse ad intervalli di 25 mm). Verificare che il cavo del freno non si attorcigli attorno al porta stampella.
3. Verificare che l'aggancio ① sia ben posizionato nel foro.

4. Regolare l'altra impugnatura ② seguendo le stesse istruzioni.
5. Verificare che entrambe le impugnature ② si trovino nella stessa posizione. In posizione eretta le maniglie di spinta devono essere all'altezza dei polsi. Lasciare le braccia a penzoloni. L'angolo dei gomiti deve essere flesso tra i 20° ed i 30°.

Fig. 2 – Regolazione delle maniglie di spinta



#### 4.4 Regolazione dei freni

È possibile regolare la forza dei freni allentando/serrando la vite (4) situate sul lato posteriore della leva del freno.



## 5 Uso del deambulatore

### 5.1 Sistema frenante



ATTENZIONE

**Rischio di caduta**

Per garantire la propria sicurezza, verificare il funzionamento dei freni. Le condizioni del sistema frenante sono influenzate dalla presenza di usura, olio e altri contaminanti sulle ruote posteriori e sul meccanismo di frenata.

Il deambulatore è dotato di freni azionati da due apposite leve (7); vedere la figura che

segue. È possibile utilizzare le leve dei freni in due modalità di frenata, vale a dire esercizio e parcheggio.



ATTENZIONE

**Rischio di danni**

**Non spingere il deambulatore con una forza eccessiva mentre si utilizzano i freni nella modalità di esercizio. Ciò può danneggiare gli pneumatici o i freni.**

- Per utilizzare i freni nella modalità di esercizio, tirare simultaneamente entrambe le leve dei freni (7) verso l'alto [A] con un movimento di compressione. Per interrompere la frenatura, rilasciare le leve dei freni.
- Per utilizzare i freni di parcheggio, spingere entrambe le leve dei freni (7) verso il basso nella posizione bloccata [B]. Utilizzare sempre simultaneamente entrambi i freni di parcheggio. Per uscire dalla modalità di parcheggio, tirare simultaneamente entrambe le leve dei freni verso l'alto.

### 5.2 Cestello

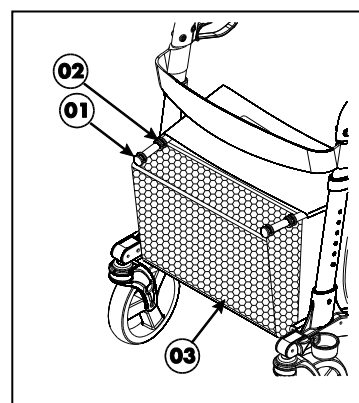


ATTENZIONE

**Rischio di caduta**

**Non sovraccaricare il cestino.**

Il cestino ③ è previsto per essere montato sulla parte anteriore del rollator. Montare il cestello ③ utilizzando gli attacchi del cestello ①, ai tubolari del telaio del sedile del rollator ②. Il cestino può contenere un peso massimo di Kg.5

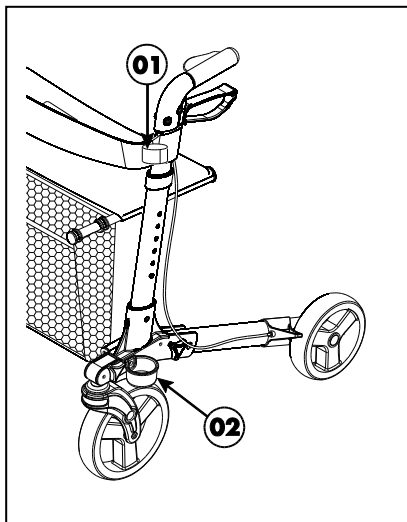


### 5.3 Posizionamento / rimozione di stampelle o bastoni


**ATTENZIONE**
**Rischio di lesioni**

Verificare che la stampella o il bastone siano fissati saldamente.

Sul lato sinistro del rollator sono posizionati un porta stampella ② e una striscia in velcro ①. Collocare la stampella / il bastone nel porta stampella ② e bloccare la stampella / il bastone con la striscia in velcro ①.



### 5.4 Affrontare i cordoli


**ATTENZIONE**
**Rischio di caduta**

Fare attenzione a superare i cordoli con entrambe le ruote anteriori allineate. Avvicinarsi il più possibile.

Per facilitare il superamento di piccoli ostacoli, come i cordoli, il deambulatore è dotato di una leva di inclinazione sulle due ruote posteriori.

1. Verificare di essere stabili in posizione eretta, afferrando allo stesso tempo entrambe le impugnature.
2. Premere con un piede la leva di inclinazione (14) per sollevare le ruote anteriori.

3. Mantenere il deambulatore in tale posizione servendosi delle impugnature, quindi e avanzare lentamente fino a quando le ruote anteriori si trovano sul cordolo.



4. A questo punto, sollevare le impugnature e avanzare fino a portare le ruote posteriori sul cordolo.

5. Quando il deambulatore raggiunge una posizione stabile, affrontare a propria volta il cordolo.

### 5.5 Sedersi, alzarsi in piedi e camminare


**ATTENZIONE**
**Rischio di caduta**

**Prima di sedersi sul deambulatore, accertarsi che entrambe le leve dei freni si trovino nella posizione di parcheggio, vedere il §5.1. Mantenere le leve dei freni in tale posizione fino a quando non si riprende a camminare. Tenere i piedi fra le ruote posteriori.**

1. Spingere entrambe le leve dei freni verso il basso, fino alla posizione di parcheggio.
2. Appoggiandosi alle impugnature, voltarsi e accomodarsi sul sedile.
3. Per rialzarsi, appoggiarsi alle impugnature e voltarsi.
4. Tirare entrambe le leve dei freni verso l'alto e utilizzare i freni nella modalità di esercizio.
5. Rilasciare le leve dei freni e avanzare di un passo con il deambulatore vicino al corpo.

## 6 Manutenzione



Una cura regolare garantisce che il deambulatore rimanga in perfette condizioni di funzionamento. Per il manuale di manutenzione consultate il sito web Vermeiren: [www.vermeiren.com](http://www.vermeiren.com).

### 6.1 Pulizia

Per pulire il deambulatore, utilizzare un panno morbido inumidito con acqua tiepida e un detergente delicato per la casa. Non immergere il deambulatore. Non utilizzare detersivi abrasivi per la pulizia.

### 6.2 Disinfezione


**ATTENZIONE**
**Rischio di danni**

**La disinfezione deve essere eseguita esclusivamente da personale con un'opportuna formazione. Consultare il proprio rivenditore autorizzato.**

Per pulire il deambulatore, utilizzare un panno morbido inumidito con acqua tiepida e un disinfettante delicato per la casa.

### 6.3 Ispezione / assistenza / riparazioni

La durata media prevista del vostro deambulatore è di 5 anni. La durata del deambulatore è influenzata dalle modalità di uso, stoccaggio, manutenzione, assistenza e pulizia.

Prima di riprendere a utilizzare il deambulatore, occorre ispezionarlo in relazione ai seguenti punti:

- Completezza.
- Meccanismo di chiusura: funzionamento corretto.
- Bulloni e dadi: fissati saldamente.
- Freni: funzionamento corretto.
- Ruote (stabilità, direzione e viti di fissaggio).

In caso di contatto regolare con fili, capelli o altri residui, è possibile che le ruote si blocchino. Verificare con regolarità che le ruote ruotino liberamente e siano in buone condizioni.

- Telaio (deformazione, stabilità e collegamenti).
- Impugnature (bloccaggio sicuro del sistema di regolazione dell'altezza e supporto adeguato delle impugnature).
- Sedile, schienale e borsa portaoggetti (usura o danni).

Il deambulatore è costruito con componenti in alluminio e plastica. Consigliamo di far ispezionare il rollator almeno una volta all'anno, ma la frequenza di assistenza dipende dalla frequenza e dall'intensità dell'uso. Consultare il proprio rivenditore autorizzato per accordarsi sulla frequenza di assistenza.

Riparazioni e sostituzioni devono essere eseguite esclusivamente da personale con un'opportuna formazione e utilizzando unicamente ricambi originali Vermeiren. Non esitare a utilizzare i servizi offerti dal proprio concessionario autorizzato, che sarà lieto di fornire un supporto per l'assistenza e le riparazioni.

### 6.4 Riutilizzo

Prima di ogni riutilizzo, disinfettare il deambulatore, verificarlo e fare la manutenzione come indicato in §6.2 e §6.3.

### 6.5 Smaltimento

A fine vita, occorre smaltire il deambulatore conformemente alla legislazione ambientale locale. Il modo migliore per farlo consiste nello smontare il deambulatore per agevolare il trasporto dei componenti riciclabili.



## 7 Dati tecnici

I dettagli tecnici riportati di seguito sono validi soltanto per il deambulatore oggetto del manuale, con le impostazioni standard e in condizioni ambiente ottimali. Durante l'uso, tenere conto di questi dati di dettaglio.

<b>Marca</b>	<b>Vermeiren</b>
<b>Tipo</b>	<b>Deambulatore</b>
<b>Modello</b>	<b>Quadri-Light</b>

<b>Descrizione</b>	<b>Dimensioni</b>
Peso massimo dell'utente	130 kg
Peso massimo del carico del cestino	5 kg
Lunghezza complessiva	700 mm
Lunghezza in configurazione ripiegata	700 mm Per trasporto: 400 mm
Larghezza complessiva	650 mm
Larghezza in configurazione ripiegata	290 mm
Altezza complessiva (altezza maniglie)	805-930 mm
Altezza persona raccomandata	155 – 185 cm
Altezza ripiegato	805 mm Per trasporto: 670 mm
Distanza fra le impugnature	460 mm
Altezza del sedile	610 mm
Larghezza del sedile	450 mm
Profondità del sedile	200 mm
Massa totale - senza cestino	7,25 kg 7,2 kg
Ruote	Anteriori 8" (200x40) Posteriori 7" (178x40)
Freni	Freni di esercizio e di parcheggio
Larghezza di svolta	1310 mm
Temperatura di magazzinaggio	+5 - +41 °C
Umidità di magazzinaggio	30% - 70%
Vermeiren si riserva il diritto di introdurre modifiche tecniche. Tolleranze di misurazione +/- 15 mm / 1,5 kg / 1,5°	

## Índice

Índice.....	1
1 Introducción.....	1
2 Su producto.....	1
3 Antes de su uso.....	1
4 Montaje y ajustes.....	3
5 Uso del andador.....	4
6 Mantenimiento.....	5
7 Datos técnicos.....	6

## 1 Introducción

¡Felicidades! Es usted el propietario de un andador Vermeiren!

Le agradecemos su confianza en los productos Vermeiren. Le ofrecemos este manual para ayudarle en la utilización de su andador y sus opciones de manejo. Léalo detenidamente. Le ayudará a familiarizarse con el manejo, las capacidades y limitaciones de su silla de ruedas.

Si todavía tiene alguna duda después de leer este manual, contacte con su distribuidor especializado, estará encantado de ayudarle.

### **Nota importante**

Para garantizar su seguridad y prolongar la vida útil de su producto, cuídalo bien y asegúrese de realizar revisiones y mantenimientos de manera regular.

Este manual refleja los desarrollos más recientes del producto. Vermeiren se reserva el derecho a implementar cambios en este tipo de producto sin que ello suponga obligación alguna de adaptar o cambiar productos similares previamente entregados.

Las imágenes del producto están presentes para clarificar las instrucciones contenidas en este manual. Los detalles del producto mostrado pueden variar con su producto.

### **Información disponible**

En nuestro sitio web [www.vermeiren.com](http://www.vermeiren.com) siempre encontrará la versión más reciente de la información en este manual. Consulte este sitio web de manera regular para estar al tanto de posibles actualizaciones.

Las personas con discapacidad visual pueden descargarse la versión electrónica del manual y utilizar un software de síntesis de voz para poder oír su contenido.

## 2 Su producto



1. Empuñadura
2. Asiento
3. Bolsa
4. Rueda
5. Chasis
6. Palanca de freno
7. Cinturón de seguridad
8. Porta bastones
9. Reflectores
10. Placa de identificación

## 3 Antes de su uso

### 3.1 Entrega

Desembalar el producto y verificar que la entrega está completa. Las siguientes piezas vienen incluidas en la entrega:

- Armazón del andador con asiento, 4 ruedas (montadas)
- Empuñaduras de empuje de altura ajustable con frenos
- Cesta para la compra
- Cinturón de seguridad
- Soportes de muletas
- Manual

Compruebe que el producto no haya sufrido daños durante el transporte. Si detectase algún defecto en el producto, contacte con el transportista.

## 3.2 Uso previsto

Indicaciones y contraindicaciones: El andador está pensado como apoyo para la función de las piernas al andar. No utilice el andador si tiene otras discapacidades físicas por las que su uso podría suponer un riesgo, como brazos débiles, trastornos del equilibrio, visión deficiente, pérdida de extremidades, etc.

El andador está diseñado exclusivamente como un instrumento de ayuda para andar para una persona con un peso máximo de 130 kg.

Al apoyar o mover las partes superiores del cuerpo o el tronco encima del andador, este compensa la capacidad o la fuerza reducidas de las partes inferiores del cuerpo. Además, el andador asegura un apoyo más óptimo y más seguridad.

El andador puede usarse tanto en el interior como en el exterior.

El andador no es apto para transportar cosas o a más de una persona que no sea el usuario.

Sólo debe usarse sobre una superficie plana en la que las cuatro ruedas estén en contacto con el suelo. No utilizar el andador sobre terreno rocoso, irregular o arenoso, o en lugares con pendientes empinadas, ya que el andador puede desestabilizarse. Circule siempre con su andador por suelos planos y estables y por bordillos biselados.

Consulte los detalles técnicos y las limitaciones del andador en §7.

La garantía de este producto se basa en el uso y mantenimiento normales descritos en este manual. La garantía se invalida si el producto sufre cualquier daño causado por un uso indebido o falta de mantenimiento.

## 3.3 Instrucciones de seguridad

 **PRECAUCIÓN** **Riesgo de lesiones**

**Lea y siga las instrucciones contenidas en este manual. De no seguirlas, puede acabar lesionándose a sí mismo, o acabar rompiendo el andador.**

- Asegurarse de que no haya piedras u otros elementos que estén bloqueando las ruedas del andador.

- Asegurarse de que ambos frenos de estacionamiento estén echados antes de usar el andador para ponerse de pie. Una vez que el usuario se sienta cómodo y estable, pueden quitarse los frenos de estacionamiento.
- Mantener siempre ambas manos en las empuñaduras al andar con el andador.
- Téngase en cuenta que ciertas partes del andador pueden llegar a calentarse o enfriarse demasiado a causa de la temperatura ambiente, la luz del sol, equipos de calefacción, etc. así que tener siempre cuidado al tocar.
- Comprobar que el ajuste de altura esté bien sujeto antes de cada uso, véase §4.3.
- No sujete las empuñaduras con las manos mojadas, ya que podría perder el equilibrio.
- No circular con el andador por la carretera, manténgase siempre en la acera.
- Seguir las instrucciones de lavado y control. El fabricante no se hace responsable de daños ocasionados por un mal mantenimiento o una mala inspección.

**i** Tenga en cuenta que su andador puede interferir con algunos tipos de sistemas antirrobo, según la configuración utilizada. Esto puede hacer que se active la alarma de la tienda.

## 3.4 Símbolos presentes en el andador



Peso máximo del usuario en kg



Tipo de modelo

## 3.5 Transporte y almacenamiento

El transporte y almacenamiento del andador debe llevarse a cabo según las especificaciones técnicas en §7. Asegurarse de que el andador esté almacenado en un lugar seco.

Proteger el andador de la oxidación y materiales extraños (p. ej. agua salada, aire marino, arena, polvo) mediante una protección o un embalaje adecuado.

Asegurarse de que no haya otros objetos encima o apoyados en el andador durante el almacenamiento para prevenir daños.

## 4 Montaje y ajustes


**PRECAUCIÓN**
**Riesgo de lesiones**

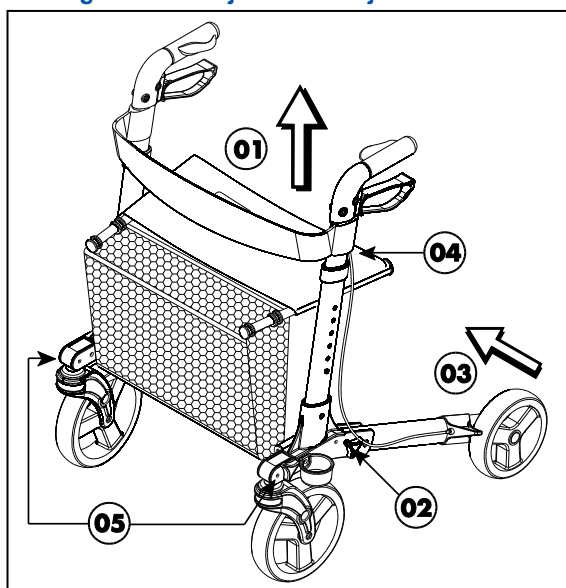
Mantenga los dedos alejados de las partes móviles del andador.

### 4.1 Montaje / Desplegado

Los pasos del 1 al 8 deben realizarse la primera vez que utilice el andador o cuando vaya a transportarlo.

1. Afloje las correas de velcro.
2. Coloque el andador sobre su costado.
3. Baje la rueda trasera (③) hasta que los orificios coincidan.
4. Monte el pomo de estrella ②.
5. Baje la rueda delantera hasta que los orificios coincidan.
6. Monte el pomo de estrella ⑤.
7. Coloque el andador sobre su otro costado.
8. Repita los pasos del 3 al 6 en el otro lado.
9. Desplegado del andador
  - Despliegue el andador apretando las empuñaduras.
  - Empuje los tubos del asiento ④ para desplegar completamente el andador. Siga empujando hasta que el mecanismo de bloqueo quede asegurado.
  - Verifique que el andador ha quedado bien asegurado y que no se puede plegar.
10. Ajuste las empuñaduras para empujar a la altura deseada (véase §4.3).

Imagen 1: montaje/desmontaje del andador



### 4.2 Plegado

1. Ajuste las empuñaduras de empuje en la posición mínima (véase §4.3).
2. Plegado del andador
  - Tire un poco de la empuñadura del asiento ① hasta que se suelte el mecanismo de bloqueo y pueda plegar el andador (esta operación debe realizarse mientras el usuario permanece de pie).
  - Pliegue el rollator empujando las empuñaduras o tirando de los tubos del asiento ②.
3. Transporte
  - Retire el pomo de estrella ⑤.
  - Pliegue la rueda delantera hacia arriba.
  - Retire el pomo de estrella ②.
  - Pliegue la rueda y el armazón traseros hacia arriba ③.
  - Sujete con las correas de velcro la rueda y el armazón traseros al armazón de las empuñaduras.
  - Repita los pasos anteriores en el otro lado.

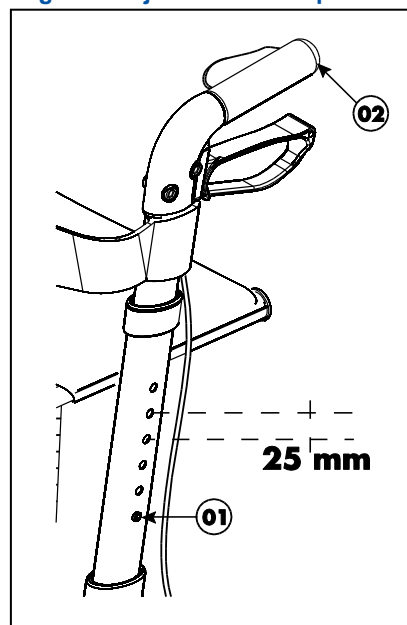
**ES**

### 4.3 Empuñaduras


**PRECAUCIÓN**
**Riesgo de caída**

No sobrepase el ajuste máximo; de lo contrario, su andador dejará de ser estable.

Imagen 2 – Ajuste de las empuñaduras



Realice los siguientes pasos para ajustar la altura de las empuñaduras para empujar:

1. Presione el pasador ①.

ES

2. Mueva la empuñadura ② hasta la altura deseada (6 posiciones distintas: intervalos de 25 mm). Verifique que el cable del freno no quede en el soporte para muletas.
3. Compruebe que el pasador ① queda firmemente fijado en el agujero con un clic.
4. Ajuste el otro empuñadura ② del mismo modo.
5. Verifique que ambas empuñaduras ② se ajustan en la misma posición. Cuando esté de pie, las empuñaduras deben encontrarse a la altura de las muñecas. Deje que le cuelguen los brazos libremente. Los codos deberían estar flexionados entre 20 y 30°.

#### 4.4 Ajuste de los frenos

Se puede ajustar la potencia de los frenos aflojando/apretando el tornillo (4) en el lado trasero de la palanca de freno.



### 5 Uso del andador

#### 5.1 Sistema de frenado

**PRECAUCIÓN** Riesgo de caída

Para garantizar su seguridad, controle el funcionamiento de los frenos. El estado del sistema de frenado se puede ver afectado por desgaste y la presencia de aceite o suciedad en las ruedas traseras y en el mecanismo de frenado.



El andador lleva frenos que se pueden manejar con las dos palancas de freno (7), véase la siguiente figura. Las palancas de freno pueden usarse de dos maneras: como freno normal o como freno de estacionamiento.

**PRECAUCIÓN** Riesgo de daños

**No empujar el andador demasiado fuerte mientras se usan los frenos normales. Esto puede ocasionar daños a las ruedas o los frenos.**

- Para usar el freno normal, tirar hacia arriba de ambas palancas de freno (7) a la vez [A] apretándolas. Para dejar de frenar, soltar las palancas de freno.
- Para usar el freno de estacionamiento, tirar hacia abajo de ambas palancas de freno (7) hasta que queden bloqueadas [B]. Usar siempre ambos frenos de estacionamiento a la vez. Para salir de la posición de estacionamiento, tirar hacia arriba de ambas palancas de freno a la vez.

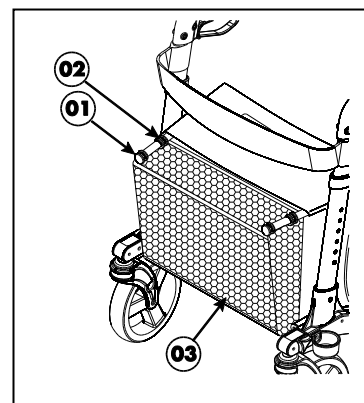
#### 5.2 Cesta

**PRECAUCIÓN** Riesgo de caída

**No sobrecargue la cesta para la compra.**

La cesta de compra ③ está diseñada para montarse en la parte delantera. Monte la cesta para la compra ③ con sus dos accesorios ① en los tubos del armazón del asiento del andador ②.

El peso máximo que puede llevar la cesta es de 5 kg.



#### 5.3 Montaje / desmontaje de las muletas o del bastón

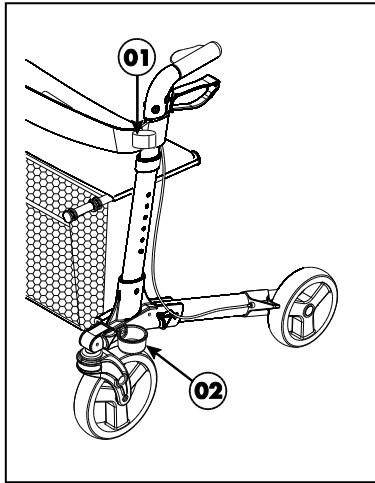
**PRECAUCIÓN** Riesgo de lesiones

**Verifique que las muletas o el bastón estén bien montados.**



En el lado izquierdo del andador hay un soporte para las muletas ② y una correa de velcro ①.

Coloque las muletas o el bastón en el soporte para las muletas ② y sujételos con la correa de velcro ①.



## 5.4 Salvando bordillos



PRECAUCIÓN

Riesgo de caída

**Salvar los bordillos de manera recta, con ambas ruedas alineadas con el bordillo. Mantener el andador cerca.**

Para facilitar la toma de pequeños obstáculos, como los bordillos, el andador está equipado con una palanca de inclinación en las dos ruedas traseras.

1. Asegurarse de que se está posicionado de manera estable sujetando ambas empuñaduras.
2. Utilizar un pie para presionar la palanca de inclinación (14) para levantar las ruedas delanteras.
3. Mantener el andador en esa posición sujetando las empuñaduras y moverse lentamente hacia adelante hasta que las ruedas estén encima del bordillo.
4. Levantar las empuñaduras y moverse hacia delante para colocar las ruedas traseras encima del bordillo.
5. Cuando el andador esté en una posición estable, salvar el bordillo.



## 5.5 Sentarse, levantarse y caminar



PRECAUCIÓN

Riesgo de caída

**Asegurarse de que ambas palancas de freno están en la posición de estacionamiento antes de sentarse, véase §5.1. Mantener las palancas de freno en esta posición hasta que vaya a volver a caminar. Mantener ambos pies entre las ruedas traseras.**

1. Tirar ambas palancas de freno hacia abajo en la posición de estacionamiento.
2. Apoyándose en las empuñaduras, darse la vuelta y sentarse en el asiento.
3. Para volver a levantarse, apoyarse en las empuñaduras y darse la vuelta.
4. Tirar de ambas palancas de freno hacia arriba y utilizar el freno normal.
5. Soltar las palancas de frenos y caminar hacia delante con el andador cerca del cuerpo.

## 6 Mantenimiento

Un mantenimiento regular asegura que el andador permanezca en perfecto estado. Para consultar el manual de mantenimiento, visite el sitio web de Vermeiren: [www.vermeiren.com](http://www.vermeiren.com).



### 6.1 Limpieza

Utilizar un paño limpio y húmedo y agua templada con jabón doméstico suave para limpiar el andador. Evitar que las piezas se mojen demasiado.

No utilizar productos de limpieza abrasivos.

### 6.2 Desinfección



PRECAUCIÓN

Riesgo de dañar el andador

**La desinfección sólo puede llevarla a cabo personal debidamente cualificado. Consulte con su distribuidor especializado al respecto.**

Utilizar un paño limpio y húmedo y agua templada con desinfectante doméstico suave para limpiar el andador.

## 6.3 Inspección / Mantenimiento / Reparación

La vida útil media del andador es de 5 años. La vida útil se ve afectada por su uso, almacenamiento, mantenimiento y limpieza.

Antes de utilizar el andador, deben comprobarse los siguientes puntos:

- Integridad.
- Mecanismo de plegado: Funciona bien.
- Tornillos y tuercas: Atornillados firmemente.
- Frenos: funcionan bien.
- Ruedas (Si las ruedas entran regularmente en contacto con hilos, pelos y otras fibras, podrían llegar a atascarse. Por tanto, comprobar regularmente que las ruedas pueden girar libremente y que están en buen estado).
- Bastidor (deformaciones, estabilidad, conexiones).
- Empuñadura (un bloqueo seguro del ajuste máximo de altura, buen soporte de las empuñaduras).
- Asiento, cinta de respaldo y bolsa (desgaste y daños).

Su andador está construido con componentes de aluminio y plástico. Recomendamos que inspeccionen su andador al menos una vez al año, pero la frecuencia de los mantenimientos depende de la frecuencia e intensidad de uso. Consulte con su distribuidor especializado para llegar a un acuerdo sobre la frecuencia de mantenimiento.

Cualquier reparación o cambios sólo pueden llevarse a cabo por personal debidamente cualificado y sólo pueden utilizarse piezas de recambio Vermeiren originales. No dude en hacer uso de los servicios ofrecidos por su distribuidor especializado, estará encantado de ayudarle con el mantenimiento y las reparaciones.

## 6.4 Reutilizar

Antes de cada reutilización, desinfecte, inspeccione y repare el andador de acuerdo a las instrucciones §6.2 y §6.3.

## 6.5 Desechar el producto

Al final de la vida útil, deberá desechar el andador siguiendo las leyes

medioambientales de su localidad. Para transportar materiales reciclables del andador de manera más cómoda, se recomienda que se desmonte primero.

## 7 Datos técnicos

Los datos técnicos expuestos a continuación son sólo válidos para este andador, con configuración estándar y en condiciones ambientales óptimas. Tener en cuenta estos datos durante la utilización del andador.

<b>Marca</b>	<b>Vermeiren</b>
<b>Tipo</b>	<b>Andador</b>
<b>Modelo</b>	<b>Quadri-Light</b>

<i>Descripción</i>	<i>Dimensiones</i>
Peso máximo del usuario	130 kg
Peso de llenado máximo de la bolsa	5 kg
Longitud total	700 mm
Longitud plegado	700 mm Para el transporte: 400 mm
Anchura total	650 mm
Anchura plegado	290 mm
Altura total (altura hasta la empuñadura)	805-930 mm
Altura de usuario recomendada	155 – 185 cm
Altura plegado	805 mm Para el transporte: 670 mm
Distancia entre las empuñaduras	460 mm
Altura del asiento	610 mm
Anchura del asiento	450 mm
Profundidad del asiento	200 mm
Peso total - sin cesta	7,25 kg 7,2 kg
Diámetro de las ruedas Delantera Trasera	8" (200x40) 7" (178x40)
Frenos	Frenos normales y frenos de estacionamiento
Radio de giro	1310 mm
Temperatura de almacenamiento	+5°C - +41°C
Humedad de almacenamiento	30% - 70%
Nos reservamos el derecho a introducir cambios técnicos. Tolerancia dimensional ± 15 mm / 1,5 kg / 1,5°.	

## Spis treści

Spis treści.....	1
1 Wstęp.....	1
2 Twój produkt.....	1
3 Przed użyciem.....	1
4 Montaż i regulacja.....	3
5 Korzystanie z balkonika.....	4
6 Konserwacja.....	5
7 Dane techniczne.....	6

## 1 Wstęp

Gratulacje! Jesteś teraz właścicielem balkonika Vermeiren!

Dziękujemy za zaufanie firmie Vermeiren i jej produktom. Niniejsza instrukcja pomoże właścicielowi w eksploatacji wózka inwalidzkiego i korzystaniu z jego opcji. Prosimy o uważne przeczytanie instrukcji obsługi. Pozwoli ona na zapoznanie się z działaniem, możliwościami i ograniczeniami balkonika.

W razie pytań, na które odpowiedzi nie ma w instrukcji, prosimy o kontakt z Państwa wyspecjalizowanym sprzedawcą. Sprzedawca chętnie służy pomocą.

### Ważna uwaga

Aby zapewnić bezpieczeństwo i wydłużyć okres użytkowania produktu, prosimy o dbanie o niego oraz regularne dokonywanie przeglądów i serwisowanie.

Instrukcja obejmuje najnowsze rozwiązania zastosowane w produkcie. Firma Vermeiren ma prawo do wprowadzania zmian w produktach tego typu bez obowiązku adaptowania lub wymiany podobnych, poprzednio dostarczonych produktów.

Ilustracje produktu stanowią dodatkowe objaśnienia do instrukcji w niniejszym dokumencie. Szczegóły przedstawionego produktu mogą się różnić od rzeczywistego produktu posiadanego przez użytkownika.

### Dostępne informacje

W naszej witrynie internetowej [www.vermeiren.com](http://www.vermeiren.com) zawsze znajduje się najnowsza wersja informacji zamieszczonych w instrukcji. Prosimy regularnie odwiedzać witrynę, ponieważ możemy w niej zamieszczać zaktualizowane informacje.

Osoby z zaburzeniami wzroku mogą pobrać elektroniczną wersję niniejszej instrukcji i odsłuchać ją przy użyciu oprogramowania zamieniającego tekst na mowę.

## 2 Twój produkt



1. Uchwyt
2. Siedzisko
3. Torba na zakupy
4. Koło
5. Rama
6. Dźwignia hamulca
7. Pasa bezpieczeństwa
8. Uchwyt na łaskę
9. Reflektory
10. Tabliczka identyfikacyjna

## 3 Przed użyciem

### 3.1 Przy dostawie

Rozpakuj produkt i sprawdź, czy dostawa jest kompletna. Powinna obejmować wymienione poniżej pozycje:

- Rama chodzika z siedzeniem, 4 kołami (zamocowane)
- Regulowane na wysokość uchwyty do pchania wraz z hamulcami
- Koszyk na zakupy
- Pasa bezpieczeństwa
- Uchwyt na kule
- Instrukcja obsługi.

Sprawdź, czy produkt nie został uszkodzony podczas transportu. W przypadku stwierdzenia jakichkolwiek uszkodzeń po dostawie, skontaktować się z firmą transportową.

### 3.2 Przewidziane zastosowanie

Wskazania i przeciwwskazania: Balkonik jest przeznaczony do wspomagania nóg podczas chodzenia. Nie używaj balkonika, jeśli masz inne ograniczenia fizyczne, które mogą sprawiać, że używanie balkonika nie będzie bezpieczne, np. słabe ramię, zaburzenia równowagi, upośledzenie wzroku, utrata części ciała ...

Balkonik został zaprojektowany i jest produkowany wyłącznie w celu używania jako pomoc przy chodzeniu dla jednej osoby o maksymalnej wadze 130 kg.

Balkonik kompensuje brak odpowiedniego wsparcia przez nogi, dzięki możliwości oparcia się na balkoniku lub poruszania wraz z nim, korzystając z siły rąk i klatki piersiowej. Balkonik zapewnia lepszą stabilność, wsparcie i bezpieczeństwo podczas chodzenia.

Nie jest przeznaczony do transportu towarów ani większej liczby osób niż użytkownik.

Można go używać w pomieszczeniach i na zewnątrz.

Należy korzystać z niego tylko na powierzchniach, na których wszystkie cztery koła dotykają podłoża. Nie należy używać balkonika w terenie skalistym, wyboistym lub piaszczystym, ani w miejscach o stromym nachyleniu. Mogłoby to zagrozić stabilności balkonika. Spacerować z balkonikiem należy odbywać na płaskich, stabilnych powierzchniach z przystosowanymi do wózków krawężnikami.

Należy zapoznać się z wszystkimi danymi technicznymi i ograniczeniami balkonika, które są podane w §7.

Gwarancja na produkt jest udzielona przy założeniu normalnego użytkownika i konserwacji, opisanych w niniejszej instrukcji. Uszkodzenie produktu spowodowane nieprawidłową eksploatacją lub brakiem konserwacji spowoduje unieważnienie gwarancji.

### 3.3 Zalecenia dotyczące bezpieczeństwa



PRZESTROGA

Ryzyko obrażeń

**Należy przeczytać zalecenia podane w niniejszej instrukcji i postępować zgodnie z nimi. Niestosowanie się do tych zaleceń może spowodować uraz lub uszkodzenie balkonika.**

- Sprawdź, czy kamienie lub inne przedmioty nie blokują kół balkonika.
- Przed użyciem balkonika jako pomocy przy wstawaniu sprawdź, czy obie dźwignie hamulców są w położeniu postojowym. Kiedy staniesz wygodnie i stabilnie, możesz odblokować hamulce postojowe.
- Podczas chodzenia trzymaj obiema dłońmi za rączki.
- Pamiętaj, że pewne części balkonika mogą stać się bardzo gorące lub zimne ze względu na temperaturę otoczenia, promieniowanie słoneczne, urządzenia grzewcze itp. Zachowaj ostrożność, kiedy ich dotykasz.
- Przed każdym użyciem sprawdź, czy regulatory wysokości są pewnie unieruchomione, patrz §4.3.
- Nie trzymaj rączek mokrymi rękami. To mogłoby spowodować utratę pewności chwytu i równowagi.
- Nie zjeżdżaj balkonikiem na jezdnię. Zawsze pozostawaj na chodniku.
- Przestrzegaj instrukcji konserwacji i serwisu. Producent nie odpowiada za szkody spowodowane przez nieprawidłowe serwisowanie/ konserwację.



Korzystając z chodzika musisz być świadomym, że w zależności od użytych ustawień może on kolidować z niektórymi systemami antykradzieżowymi. Może to spowodować uruchomienie alarmu w sklepie.

### 3.4 Symbole na balkoniku



Maksymalna waga użytkownika w kg



Oznaczenie typu

### 3.5 Wysyłka i przechowywanie

Transport i przechowywanie balkonika powinny się odbywać zgodnie z parametrami technicznymi w §7. Upewnij się, że balkonik jest przechowywany w stanie suchym.

Należy zapewnić dostateczną osłonę lub opakowanie, chroniące balkonik przed korozją i ciałami obcymi (np. wodą morską, morskim powietrzem, piaskiem, pyłem).

Należy zadbać o to, aby nad balkonikiem lub obok niego nie znajdowały się żadne przedmioty, które mogłyby go uszkodzić.

## 4 Montaż i regulacja

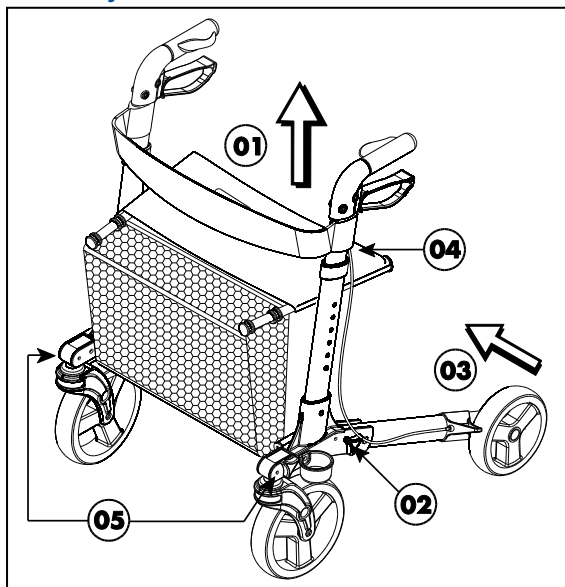

**PRZESTROGA**
**Ryzyko obrażeń**

Trzymać palce w bezpiecznej odległości od ruchomych części balkonika.

### 4.1 Montaż / Rozkładanie

Jeżeli balkonik będzie przewożony lub używany po raz pierwszy, konieczne jest wykonanie czynności opisanych w punktach 1 - 8.

Rys. 1 – Montaż/demontaż rolatora



1. Poluzować paski z rzepami.
2. Ułożyć balkonik na boku.
3. Opuścić tylne koło (03) tak, aby otwory pokryły się ze sobą.
4. Zamontować wkręt gwiazdkowy 02.
5. Opuścić przednie koło tak, aby otwory pokryły się ze sobą.
6. Zamontować wkręt gwiazdkowy 05.
7. Ułożyć balkonik na drugim boku.
8. Powtórzyć czynności opisane w punktach 3 - 6.

### 9. Rozkładanie balkonika.

- Rozłóż balkonik naciskając na ręczki do pchania.
- Aby rozłożyć go jeszcze bardziej, należy naciskać na rurki siedziska 04. Na rurki te należy naciskać tak długo, aż załączy się mechanizm blokujący.
- Sprawdzić, czy chodzik jest odpowiednio zmontowany oraz czy nie można go już bardziej rozłożyć.

### 10. Ustaw ręczki na odpowiedniej wysokości (patrz §4.3).

## 4.2 Składanie

### 1. Ustaw ręczki do pchania w pozycji minimalnej (patrz §4.3).

### 2. Składanie balkonika

- Pociągnąć delikatnie za uchwyt siedziska 01 tak, aby mechanizm blokujący rozłączył się oraz aby możliwe było złożenie balkonika (czynność tę należy wykonać stojąc prosto).
- Złożyć balkonik, naciskając na uchwyty lub pociągając za rurki siedziska 02.

### 3. Przewożenie

- Wykręć pokrętło 05.
- Podnieś przednie koła.
- Wykręć pokrętło 02.
- Złożyć ramę tylną/tylne koła, podnosząc ją/je 03.
- Przymocować ramę tylną/koło tylne rzepami do ramy uchwytów.
- Powtórzyć powyższe czynności po ułożeniu chodzika na drugim boku.

## 4.3 Uchwyty


**UWAGA**
**Ryzyko upadku**

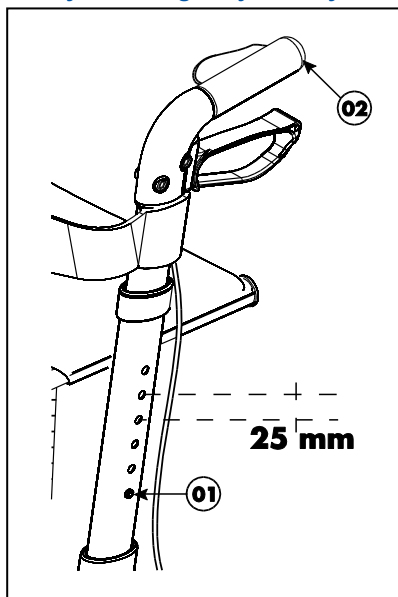
**Nie należy przekraczać maksymalnego poziomu wysokości rączek do pchania. Balkonik utraci stabilność.**

Wysokość położenia ustawić może być regulowana w następujący sposób:

1. Wciśnij sprężynkę blokującą 01.
2. Przesuń uchwyt 02 do pożądanego przez siebie wysokości. (6 różnych pozycji: miarka co 25 mm). Sprawdzić, czy linka hamulca nie zawija się wokół uchwytu na kule.
3. Sprawdź czy sprężynka zabezpieczająca 01 kliknęła i znalazła się w prawidłowym otworze.

4. Wyregulować drugi uchwyt ②, wykonując te same czynności.
5. Sprawdzić, czy oba uchwyty ② są ustawione w tej samej pozycji. Stojąc prosto, uchwyty powinny sięgać do twoich nadgarstków; ramiona powinny luźno zwisać. Łokcie powinny być zgięte pod kątem od 20° do 30°.

Rys. 2 – Regulacja uchwytów



#### 4.4 Regulacja hamulców

Siłę hamowania można wyregulować, odkręcając/dokręcając śrubę (4) z tyłu dźwigni hamulca.



## 5 Korzystanie z balkonika

### 5.1 Układ hamulcowy


**PRZESTROGA**
**Ryzyko upadku**

Aby zapewnić sobie bezpieczeństwo, sprawdź działanie hamulców. Na stan układu hamulcowego wpływa jego zużycie, a także obecność oleju i innych zanieczyszczeń na tylnych kołach i w mechanizmie hamulcowym.



Balkonik jest wyposażony w hamulce sterowane za pomocą dwóch dźwigni hamulców (7). Dźwignie hamulców mogą być użyte do dwóch rodzajów hamowania – obsługi hamulców jezdnych i hamulców postojowych.


**PRZESTROGA**
**Ryzyko uszkodzenia**

**Nie pchaj balkonika zbyt mocno, gdy są wciśnięte hamulce jezdne. To może powodować uszkodzenie opon lub hamulców.**

- Aby użyć hamulców jezdnych, pociągnij obie dźwignie hamulców (7) jednocześnie do góry [A] ruchem ściskającym. Aby przerwać hamowanie, zwolnij dźwignie hamulców.
- Aby użyć hamulców postojowych, naciśnij obie dźwignie hamulców (7) w dół, do położenia zablokowanego [B]. Zawsze używaj obu hamulców postojowych na raz. Aby wyłączyć tryb postojowy, pociągnij obie dźwignie hamulców jednocześnie do góry.

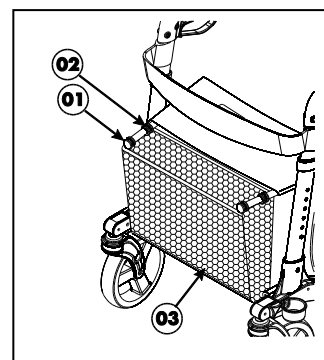
### 5.2 Koszyk


**PRZESTROGA**
**Ryzyko upadku**

**Nie należy przeładowywać koszyka na zakupy.**

Koszyk na zakupy ③ montuje się na przedniej części ramy. Do montażu koszyka ③ służą dwa łączniki ①, które zakłada się na rurki siedziska rolatora ②.

Maksymalne obciążenie podczas używania rolatora - 5 kg.



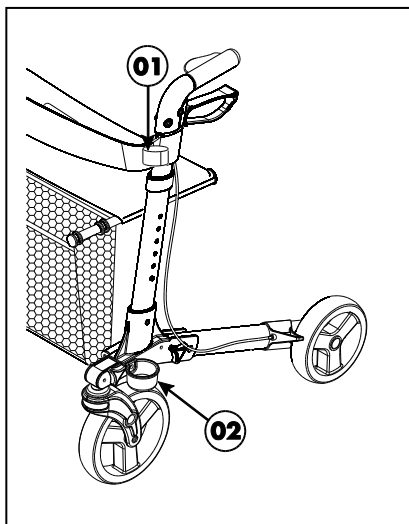
### 5.3 Laski w uchwycie/wyciąganie ich z uchwytu

**PRZESTROGA** Ryzyko obrażeń

**Sprawdzić, czy kula lub laska jest dobrze zamocowana.**

Po lewej stronie chodzika znajduje się uchwyt na kule ② z paskiem z rzepem ①.

Umieścić kulę/laskę w uchwycie ② i zamocować za pomocą paska z rzepem ①.



### 5.4 Wjeżdżanie na krawężniki

**PRZESTROGA** Ryzyko upadku

**Wjeżdżaj na krawężniki prosto, z oboma kołami przednimi wyrównanymi wobec krawężnika. Utrzymuj balkonik w pobliżu.**

Aby uprościć pokonywanie małych przeszkód, takich jak krawężniki, rolator wyposażony jest w elementy pomocne w przechylaniu na dwóch tylnych kołach.

1. Upewnij się, że stoisz stabilnie i trzymasz obie rączki.
2. Aby podnieść przednie koła, naciśnij stopą dźwignię przechylania (14).
3. Trzymaj balkonik w tym położeniu za pomocą rączek i przesuwaj powoli do przodu, aż przednie koła znajdą się na krawężniku.
4. Teraz podnieś rączki i pójdz do przodu, aby ustawić tylne koła na krawężniku.
5. Gdy balkonik już stoi pewnie, możesz wejść na krawężnik.



### 5.5 Siadanie, wstawanie i chodzenie

**PRZESTROGA** Ryzyko upadku

**Zanim usiądziesz, sprawdź, czy obie dźwignie hamulców znajdują się w położeniu parkowania, patrz §5.1. Dźwignie hamulców muszą pozostawać w tym położeniu, aż znowu zaczniesz chodzić. Ustaw stopy między dwoma kołami tylnymi.**

1. Wciśnij obie dźwignie hamulców do położenia parkowania.
2. Opierając się na rączkach, obróć się i usiądź na siedzisku.
3. Aby znowu wstać, oprzyj się na rączkach i obróć.
4. Podciągnij obie dźwignie hamulców do góry i użyj hamulców jezdnych.
5. Zwolnij dźwignie hamulców i zrób krok naprzód, z balkonikiem blisko ciała.

## 6 Konserwacja

Regularna konserwacja zapewnia utrzymanie pełnej sprawności balonika.

**i** Instrukcje dotyczące konserwacji znajdziesz na stronie internetowej firmy Vermeiren: [www.vermeiren.pl](http://www.vermeiren.pl).

### 6.1 Czyszczenie

Do mycia balkonika używaj miękkiej, wilgotnej ściereczki i letniej wody z dodatkiem łagodnego, domowego mydła. Nie namaczaj przez dłuższy czas. Do czyszczenia nie używaj ściernych środków czyszczących.

### 6.2 Dezynfekcja

**PRZESTROGA** Ryzyko uszkodzenia

**Dezynfekcję mogą wykonywać wyłącznie osoby odpowiednio przeszkolone. Zasięgnij porady u swojego wyspecjalizowanego sprzedawcy.**

Użyj miękkiej, wilgotnej szmatki i letniej wody z delikatnym środkiem dezynfekującym aby wyczyścić balkonik.

### 6.3 Kontrole / serwisowanie / naprawy

Oczekiwany okres użytkowania balkonika wynosi 5 lat. Trwałość jest zależna od jego

użytkowania, przechowywania, konserwacji, serwisowania i czyszczenia.

Przed ponownym użyciem balkonika, należy sprawdzić niżej wymienione punkty:

- Kompletność.
  - Mechanizm składania: prawidłowe działanie.
  - Śruby i nakrętki: mocno dokręcone.
  - Hamulce: prawidłowe działanie.
  - Koła (stabilność, skręcanie w żądanym kierunku, śruby ustalające).
- W przypadku powtarzającego się kontaktu z drutami, włosami lub innymi pozostałościami, koła mogą zostać zablokowane. Należy regularnie sprawdzać, czy koła obracają się swobodnie i czy są w dobrym stanie.
- Rama (odkształcenia, stabilność, połączenia).
  - Uchwyty (bezpieczne blokowanie systemu regulacji wysokości, solidne wsparcie uchwytów).
  - Siedzisko, oparcie i torba (sprawdzić pod kątem zużycia lub uszkodzenia).

Rolator skonstruowany jest z aluminiowych i plastikowych elementów. Zalecamy przeprowadzać inspekcję stanu technicznego rolatora przynajmniej raz na rok, ale częstotliwość serwisu zależy od częstotliwości i intensywności użytkowania. Skonsultuj się z wyspecjalizowanym sprzedawcą w celu uzgodnienia częstotliwości serwisu.

Naprawa i wymiana części mogą być wykonywane tylko przez osoby przeszkolone. Należy używać wyłącznie oryginalnych części zamiennych Vermeiren. Warto korzystać z usług oferowanych przez wyspecjalizowanego sprzedawcę. On/ona chętnie udzieli pomocy w zakresie serwisu i napraw.

## 6.4 Ponowne użycie

Przed każdym ponownym użyciem zdezynfekuj chodzik i sprawdź zgodnie z instrukcjami w punktach 6.2 i 6.3.

## 6.5 Usuwanie odpadów

Po zakończeniu użytkowania należy poddać balkonik utylizacji zgodnie z lokalnie obowiązującymi przepisami w zakresie

ochrony środowiska. Najlepszym sposobem, aby to zrobić, jest demontaż balkonika, w celu ułatwienia transportu części nadających się do przetworzenia.

## 7 Dane techniczne

Parametry techniczne zamieszczone poniżej dotyczą tylko tego balkonika, przy standardowych ustawieniach i optymalnych warunkach otoczenia. Podczas użytkowania należy uwzględnić te parametry.

<b>Producent</b>	<b>Vermeiren</b>
<b>Typ</b>	<b>Balkonik</b>
<b>Model</b>	<b>Quadri-Light</b>

<b>Opis</b>	<b>Wymiary</b>
Maksymalna masa użytkownika	130 kg
Maksymalna waga ładunku koszyka	5 kg
Łączna długość	700 mm
Długość po złożeniu	700 mm W transporcie: 400 mm
Łączna szerokość	650 mm
Szerokość po złożeniu	290 mm
Łączna wysokość (wysokość uchwytów)	805-930 mm
Zalecana wysokość ciała	155 – 185 cm
Wysokość po złożeniu	805 mm W transporcie: 670 mm
Odległość między rączkami	460 mm
Wysokość siedziska	610 mm
Szerokość siedziska	450 mm
Głębokość siedziska	200 mm
Masa łączna - bez koszyka	7,25 kg 7,2 kg
Średnica koła	Przód 8" (200x40) Tył 7" (178x40)
Hamulce	Hamulce jezdne i postojowe
Szerokość skrętu	1310 mm
Temperatura przechowywania	+5°C - +41°C
Wilgotność przechowywania	30% - 70%
Zastrzegamy sobie prawo do wprowadzania zmian technicznych. Tolerancja pomiarów +/- 15 mm / 1,5 kg / 1,5°.	



## Obsah

Obsah.....	1
1 Předmluva .....	1
2 Tento výrobek .....	1
3 Před použitím .....	1
4 Montáž a nastavení.....	2
5 Použití chodítka .....	4
6 Údržba .....	5
7 Technické specifikace.....	6

## 1 Předmluva

Blahopřejeme! Nyní jste vlastníkem chodítka Vermeiren!

Děkujeme za Vaši důvěru ve výrobky společnosti Vermeiren. Tento návod slouží k tomu, aby vám pomáhal s použitím tohoto chodítka a jeho provozních možností. Řádně si jej přečtěte; pomůže vám seznámit se s provozem, schopnostmi a omezeními tohoto chodítka.

Máte-li po přečtení tohoto návodu nějaké dotazy, obraťte se bez obav na svého odborného prodejce. Rád vám pomůže.

### Důležitá poznámka

Aby byla zajištěna vaše bezpečnost a prodloužena životnost tohoto výrobku, věnujte mu řádnou péči a nechávejte jej pravidelně kontrolovat a opravovat.

Tento návod obsahuje nejnovější verzi produktu. Společnost Vermeiren má právo provádět změny tohoto typu výrobku, aniž by byla povinna upravit nebo nahradit podobné výrobky, které již byly dodány.

Obrázky výrobku slouží pouze k upřesnění pokynů v tomto návodu. Detaily výrobku na obrázcích se mohou od daného výrobku lišit.

### Dostupné informace

Nejnovější verzi informací z tohoto návodu vždy naleznete na našich webových stránkách <http://www.vermeiren.com/>. Tyto webové stránky pravidelně navštěvujte pro případné aktualizace.

Osoby se zrakovým postižením si mohou stáhnout elektronickou verzi tohoto návodu, kterou jim může přečíst softwarová aplikace text-to-speech.

## 2 Tento výrobek



1. Rukojeť
2. Sedátko
3. Nákupní taška
4. Kolo
5. Rám
6. Brzdová páka
7. Zádový pás
8. Držák hůlky
9. Reflektory
10. Identifikační štítek

## 3 Před použitím

### 3.1 Při dodávce

Rozbalte výrobek a ověřte, zda jde o kompletní dodávku. Musí obsahovat následující položky:

- Rám chodítka se sedátkem, 4 kola (jízdní)
- výškově nastavitelná tlačná madla s brzdami
- Nákupní taška
- Zádový pás
- Držák hůlky
- Návod

Ověřte, že výrobek není poškozen přepravou. Zjistíte-li při dodávce jakékoli škody, obraťte se na dopravce.

### 3.2 Určené použití

Indikace a kontraindikace: Chodítko je určeno jako podpora funkce nohou při chůzi.

Nepoužívejte chodítko, máte-li jiná fyzická omezení, jež mohou způsobit jeho nebezpečné použití, jako jsou slabé ruce, poruchy rovnováhy, zhoršené vidění, ztráta končetin apod.

Chodítko je navrženo a vyrobeno výhradně k použití jako pomůcka při chůzi pro jednu osobu o maximální váze 130 kg.

Chodítko kompenzuje absenci přiměřené podpory nohou tím, že se osoba opírá o chodítko či pohybuje s ním pomocí horních končetin nebo hrudníku. Chodítko poskytuje lepší stabilitu, podporu a bezpečnost při chůzi.

Není určeno pro přepravu zboží anebo více lidí než jednoho uživatele.

Chodítko lze používat doma i venku.

Smí se používat pouze na povrchu, kde se všechna čtyři kola dotýkají země. Chodítko nepoužívejte na skalnatém, nerovném či písčitém povrchu nebo na strmých místech. Chodítko může být nestabilní. Pro chůzi s chodítkem hledejte rovné stabilní plochy a zkosené obrubníky.

Ověřte si všechny technické detaily a omezení chodítka v odst. 7.

Záruka tohoto výrobku je založena na běžném použití a údržbě, jak je to popsáno v tomto návodu. V případě poškození výrobku způsobeného nesprávným použitím či absencí údržby tato záruka zanikne.

### 3.3 Bezpečnostní pokyny

 **POZOR** Riziko zranění

**Přečtěte si pokyny v tomto návodu a postupujte podle nich. Jinak může dojít k vašemu zranění nebo k poškození chodítka.**

- Ověřte, zda kamínky či jiné předměty neblokují kola chodítka.
- Než použijete chodítko jako pomůcku k postavení se ujistěte, že jsou obě brzdové páčky v režimu parkování. Jakmile se pohodlně a stabilně postavíte, můžete parkovací brzdy odblokovat.
- Během chůze mějte obě ruce stále na rukojetích.
- Mějte na paměti, že některé části chodítka mohou být velmi teplé či studené vlivem

okolní teploty, slunečního záření, topných těles atd. Při dotýkání buďte opatrní.

- Před každým použitím ověřte, zda jsou nastavení výšek řádně zajištěna, viz odst. 4.3.
- Nedržte se rukojetí mokřýma rukama. Jinak může dojít k uklouznutí úchopu a ztrátě vaší rovnováhy.
- Nechoďte s chodítkem v silničním provozu. Vždy chodte jen po chodníku.
- Dodržujte pokyny pro servis a péči o chodítko. Výrobce neodpovídá za škody způsobené nesprávným servisem / péčí o výrobek.

**i** Berte na vědomí, že vaše chodítko může v závislosti na použitém nastavení ovlivňovat některé typy systémů proti krádeži. To může zapříčinit spuštění alarmu v obchodu.

### 3.4 Symboly na chodítku



Maximální váha uživatele v kg



Typové označení

### 3.5 Přeprava a skladování

Při přepravě a skladování chodítka postupujte podle technických specifikací v odst. 7. Zajistěte, že bude chodítko skladováno v suchu.

Provedte dostatečné zakrytí či zabalení, abyste chránili chodítko před korozi a cizími látkami (jako jsou slaná voda, mořský vzduch, písek a prach).

Aby se chodítko nepoškodilo, ověřte, že na něm nejsou skladovány ani o něj opřeny žádné předměty.

## 4 Montáž a nastavení



**POZOR**

**Nebezpečí zranění**

**Nepřibližujte prsty k pohyblivým částem chodítka.**

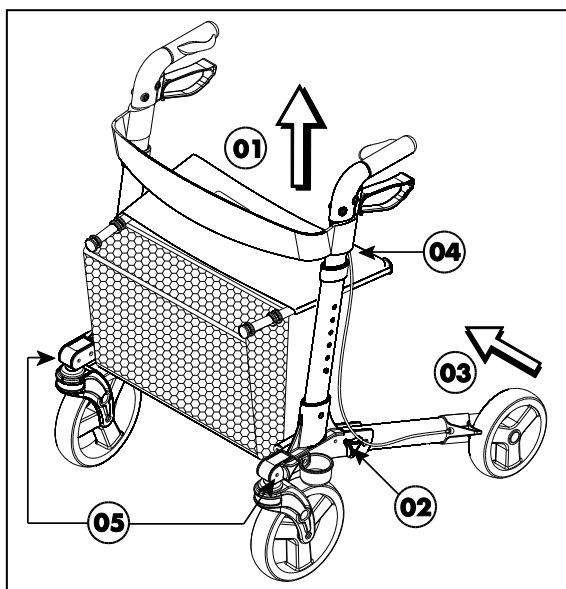
### 4.1 Sestavení / rozložení

Kroky 1 - 8 by měly být provedeny před prvním použitím nebo po přepravě chodítka.

1. Uvolněte pásky se suchým zipem.
2. Umístěte chodítko na bok.
3. Posunujte zadní kolo dolů (Ⓢ), dokud otvory nebudou ležet přes sebe.

4. Namontujte hvězdicový knoflík ②.
5. Posunujte přední kolo dolů, dokud otvory nebudou ležet přes sebe.
6. Namontujte hvězdicový knoflík ⑤.
7. Umístěte chodítko na druhou stranu.
8. Opakujte kroky 3 - 6 i na druhé straně.
9. Rozložení chodítka
  - Rozložte chodítko zatlačením na madla.
  - Zatlačte na trubky sedadla ④, aby se chodítko rozložilo. Stále tlačte, dokud není uzamykací mechanismus zajištěn.
  - Zkontrolujte, zda je chodítko pevně zajištěno a již se nemůže sklopit.
10. Nastavte tlačná madla do požadované výšky (viz §4.3)

Obr. 1 – Montáž / demontáž chodítka



## 4.2 Složení

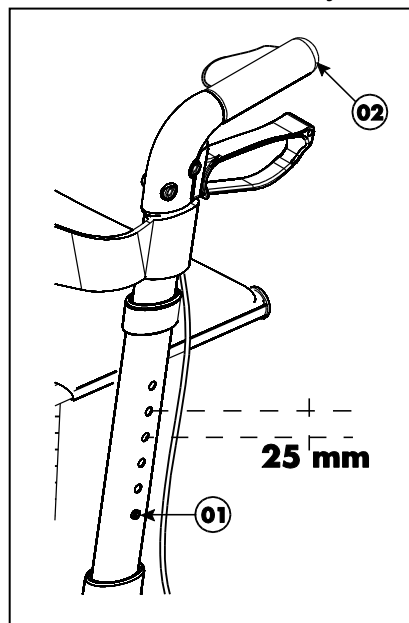
1. Nastavte tlačná madla do nejnižší polohy (viz §4.3).
2. Složení chodítka
  - Lehce táhněte za rukojeť sedadla ① dokud se neuvolní zajišťovací mechanismus a nebude možné chodítko sklopit (při provádění stůjte vzpřímeně).
  - Složte chodítko zatlačením na madla nebo zatažením za trubky sedadla ②.
3. Pro přepravu
  - Odstraňte hvězdicový knoflík ⑤.
  - Sklopte přední kolo nahoru.
  - Odstraňte hvězdicový knoflík ②.
  - Sklopte zadní rám / kolo nahoru ③.
  - Pripevněte zadní rám / kolo pomocí pásků na suchý zip k rámu rukojetí.
  - Opakujte výše uvedené kroky i na druhé straně.

## 4.3 Madla


**POZOR**
**Nebezpečí pádu**

**Nepřekračujte maximální nastavení, váš rolátor už nebude stabilní.**

Obr. 2 – Nastavení rukojetí



Madla lze výškově nastavit podle velikosti těla pomocí následujících kroků:

1. Stiskněte pružinový kolík ①.
2. Move the handgrip ② do požadované výšky (6 různých pozic: kroky po 25 mm). Dejte pozor, aby se brzdové lanko nezaseklo u držáku berle.
3. Zkontrolujte, zda je pružinový kolík ① zacvaknutý zpět a pevně zafixovaný v otvoru.
4. Druhou rukojeť ② nastavte stejným způsobem.
5. Ujistěte se, že jsou obě rukojeti ② nastaveny ve stejné pozici. Když stojíte rovně, madla by měla být v úrovni vašeho zápěstí. Ruce nechte volně viset. Lokty by měly být ohnuté o 20 ° až 30 °.

## 4.4 Seřízení brzd



Sílu brzd lze seřizovat povolováním/utahováním šroubu (4) na zadní straně brzdové páky.

## 5 Použití chodítka

### 5.1 Brzdový systém

**POZOR** Nebezpečí pádu

Pro zajištění bezpečnosti zkontrolujte funkci brzd. Stav brzdového systému ovlivňuje opotřebení, olej a jiné znečištění zadních kol a brzdného mechanismu.



Chodítko je vybaveno brzdami ovládanými dvěma brzdovými páčkami (7). Brzdové páčky lze používat ve dvou brzdných režimech: jízdní brzdy a parkovací brzdy.

**POZOR** Nebezpečí poškození

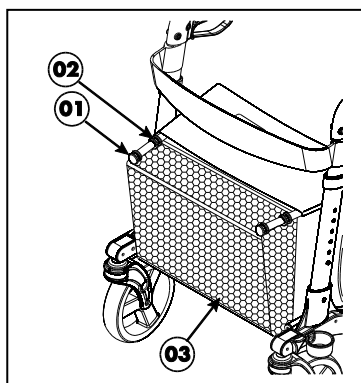
Při použití jízdních brzd na chodítko příliš netlačte. Jinak dojde k poškození pneumatik či brzd.

- Chcete-li použít jízdní brzdy, vytáhněte obě brzdové páčky (7) zároveň nahoru [A] mačkovým pohybem. Pro ukončení brždění uvolněte brzdové páčky.
- Chcete-li použít parkovací brzdy, stiskněte obě brzdové páčky (7) dolů do zamknuté polohy [B]. Vždy použijte obě parkovací brzdy současně. Pro ukončení režimu parkování vytáhněte obě brzdové páčky zároveň nahoru.

### 5.2 Košík

**POZOR** Nebezpečí pádu

Nákupní tašku nepřepĺňujte.



Nákupní košík ③ je určen k připevnění na přední stranu. Připevněte nákupní košík ③ pomocí dvou nástavců ① na trubky rámu sedadla ②.

Maximální nosnost nákupního košíku je 5 kg.

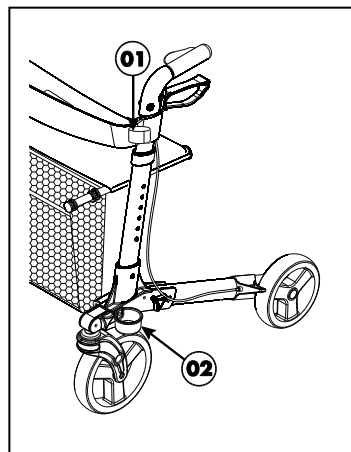
### 5.3 Montáž / demontáž berle, vycházkové hole

**POZOR** Nebezpečí zranění

Zkontrolujte, zda je berle nebo vycházková hůl pevně namontovaná.

Na levé straně chodítka najdete držák berle ② a pásek na suchý zip ①.

Vložte berli / vycházkovou hůl do držáku ② upevněte berli / vycházkovou hůl pomocí pásky na suchý zip ①.



### 5.4 Přejíždění obrubníků

**POZOR** Nebezpečí pádu

Na obrubník jezděte kolmo, oběma předními koly zároveň. Mějte chodítko těsně u těla.

Pro snadnější zdolávání malých překážek, jako jsou obrubníky, je chodítko vybaveno naklápěcí pomůckou na dvou zadních kolech.

1. Zajistěte, abyste stáli stabilně a přitom drželi obě rukojeti.
2. Jednou nohou šlápněte na zvedací páku (14) a tím zvedněte přední kola.
3. Udržujte chodítko v této poloze pomocí rukojetí a pomalu jděte dopředu, až se přední kola dostanou na obrubník.
4. Nyní zvednutím rukojetí a pohybem dopředu dostaňte na obrubník i zadní kola.



5. Když stojí chodítka stabilně, můžete přejít na obrubník i vy.

## 5.5 Posazení, zvednutí se a chození

 **POZOR** **Nebezpečí pádu**

**Před posazením ověřte, že jsou obě brzdové páčky v parkovací poloze, viz odst. 5.1. Nechte brzdové páčky v této poloze, dokud nezačnete znovu chodit. Nohama pohybujte mezi zadními koly.**

**5.1. Nechte brzdové páčky v této poloze, dokud nezačnete znovu chodit. Nohama pohybujte mezi zadními koly.**

1. Stiskněte obě brzdové páčky dolů do parkovací polohy.
2. Zatímco se opíráte o rukojeti, otočte se a posadte se na sedadlo.
3. Chcete-li se znovu postavit, opřete se o rukojeti a otočte se.
4. Pro použití jízdních brzd vytáhněte obě brzdové páčky nahoru.
5. Uvolněte brzdové páčky, jděte dopředu a mějte přitom chodítka těsně u těla.

## 6 Údržba

**i** Pravidelná péče zajistí, že bude chodítka udržováno v dokonale funkčním stavu. Viz webových stránkách společnosti Vermeiren: [www.vermeiren.com](http://www.vermeiren.com).

### 6.1 Čištění

K čištění chodítka použijte měkký vlhký hadřík a vlažnou vodu s jemným mýdlem pro domácí účely. Vyhněte se máčení. K čištění nepoužívejte abrazivní čisticí prostředky.

### 6.2 Dezinfekce

 **POZOR** **Nebezpečí poškození**

**Dezinfekci směji provádět pouze vyškolené osoby. Poradte se s odborným prodejcem.**

K čištění chodítka použijte měkký navlhčený hadřík a vlažnou vodu s jemným dezinfekčním prostředkem pro domácnost.

### 6.3 Kontrola/servis/opravy

Předpokládaná životnost vašeho chodítka je 5 let. Životnost chodítka je ovlivněna jeho používáním, skladováním, údržbou, servisem a čištěním.

Před opětovným použitím chodítka je třeba zkontrolovat následující body:

- Kompletnost.
- Skládací mechanismus: správná funkčnost.
- Pravidelné utažení šroubů a matic: pevně dotažené.
- Brzdy: správná funkčnost.
- Kola (stabilita, vedení stopy, upevňovací šrouby).  
V případě pravidelného kontaktu s drátky, vlasy či jinými nečistotami se mohou kola zablokovat. Pravidelně kontrolujte, zda se kola volně otáčejí a zda jsou v dobrém stavu.
- Rám (deformace, stabilita, připojení).
- Rukojeť (bezpečné zamknutí systému nastavení výšky, dobrá podpěra rukojeti).
- Sedadlo, opěradlo a úložná taška (opotřebení či poškození).

Vaše chodítka je vyrobeno z hliníkových a plastových součástí. Doporučujeme nechat si zkontrolovat chodítka alespoň jednou ročně, servisní intervaly však závisí na intenzitě a frekvenci používání. Poradte se s odborným prodejcem a dohodněte vhodné servisní intervaly.

Opravy a výměny směji provádět pouze vyškolené osoby. Přitom je třeba používat pouze originální náhradní díly společnosti Vermeiren. Využívejte služby nabízené vaším specializovaným prodejcem. Bude velmi rád, když vám pomůže s jakýmkoli servisem a opravami.

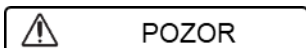
### 6.4 Opětovné použití

Před každým dalším použitím nechte chodítka dezinfikovat, zkontrolovat a opravit podle pokynů v §6.2 a §6.3.

### 6.5 Likvidace

Po skončení životnosti musí být chodítka zlikvidováno podle místní legislativy pro životní prostředí. Nejlepším způsobem likvidace je rozebrání chodítka pro usnadnění přepravy recyklovatelných součástí.

## 7 Technické specifikace



**Riziko nebezpečného použití.**

**Mějte na paměti správná nastavení a omezení použití, viz popis v tomto návodu**

Výrobce	Vermeiren
Typ	Chodítko
Model	Quava

Popis	Rozměry
Maximální váha uživatele	130 kg
Maximální váha obsahu tašky	5 kg
Celková délka	700 mm
Délka ve složeném stavu	700 mm Pro přepravu: 400 mm
Celková šířka	650 mm
Šířka ve složeném stavu	290 mm
Celková výška (výška rukojeti)	805-930 mm
Doporučená výška těla	155 – 185 cm
Výška ve složeném stavu	805 mm Pro přepravu: 670 mm
Vzdálenost mezi rukojetmi	460 mm
Výška sedátka	610 mm
Šířka sedátka	450 mm
Hloubka sedátka	200 mm
Celková hmotnost - bez košíku	7,25 kg 7,2 kg
Kola	Přední 8" (200x40) Zadní 7" (178x40)
Brzdy	Jízdní a parkovací brzdy
Náklon dopředu	1310 mm
Skladovací teplota	+5°C - +41°C
Vlhkost při skladování	30% - 70%
Vyhrazujeme si právo na zavádění technických změn. Tolerance měření +/- 15 mm / 1,5 kg / 1,5°.	



## Service registration form

This product (name): .....

was inspected (I), serviced (S), repaired (R) or disinfected (D):

By (stamp):  Kind of work: I / S / R / D Date:	By (stamp):  Kind of work: I / S / R / D Date:	By (stamp):  Kind of work: I / S / R / D Date:
By (stamp):  Kind of work: I / S / R / D Date:	By (stamp):  Kind of work: I / S / R / D Date:	By (stamp):  Kind of work: I / S / R / D Date:
By (stamp):  Kind of work: I / S / R / D Date:	By (stamp):  Kind of work: I / S / R / D Date:	By (stamp):  Kind of work: I / S / R / D Date:
By (stamp):  Kind of work: I / S / R / D Date:	By (stamp):  Kind of work: I / S / R / D Date:	By (stamp):  Kind of work: I / S / R / D Date:
By (stamp):  Kind of work: I / S / R / D Date:	By (stamp):  Kind of work: I / S / R / D Date:	By (stamp):  Kind of work: I / S / R / D Date:



Vermeiren GROUP  
Vermeirenplein 1 / 15  
2920 Kalmthout  
BE

website: [www.vermeiren.com](http://www.vermeiren.com)